

- Indoor/outdoor installations
- Stainless steel screws
- Black epoxy powder painted
- Weatherproof standard IP66 (IR50) and IP65 (IR300)

The infrared illuminators from Videotec allow the generation of high quality images during the night surveillance to TVCC cameras sensitive to infrared rays.

IR infrared illuminators are made from die-cast aluminium; painted with epoxy polyester; they ensure high protection and environmental adaptability.

The infrared beam has a wavelength of 850 nm. IR illuminators are assembled with stainless steel screws and "O" rings which guarantee a IP66 weatherproof standard (IP65 for IR300).

Lamps with different light beams (spot, flood, wide flood) are available.

They're recommended for military surveillance, perimeter surveillance, airports and prisons.



#### ILLUMINATORS:

<b>IR50SP1</b>	Outdoor IR illuminator spot
<b>IR50FL1</b>	Outdoor IR illuminator flood
<b>IR50WFL1</b>	Outdoor IR illuminator wideflood
<b>IR50FL2</b>	Outdoor IR illuminator flood
<b>IR300SP2</b>	Outdoor IR illuminator spot
<b>IR300FL2</b>	Outdoor IR illuminator flood
<b>IR300WFL2</b>	Outdoor IR illuminator wideflood

#### ACCESSORIES:

<b>IRPS12</b>	Power supply IN 230VAC, OUT 12VAC in weatherproof box for IR50
<b>IRBA</b>	Bracket for mounting of two infrared illuminators on housings (except VERSO range)
<b>OHPVIRA</b>	Adaptor for mounting of one infrared IR65 on VERSO and VERSO COMPACT housings
<b>OIRCR</b>	Night switch for infrared illuminator 230VAC



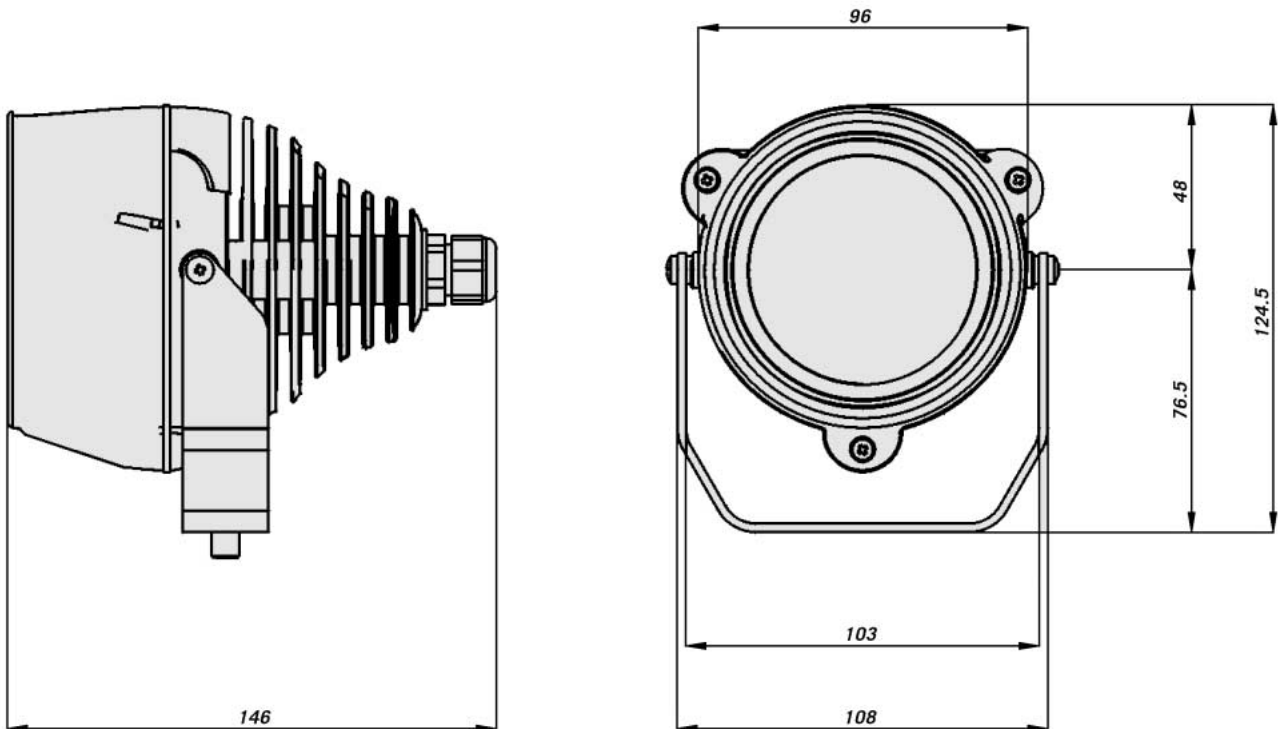


## INFRARED BEAM/DISTANCE CHART

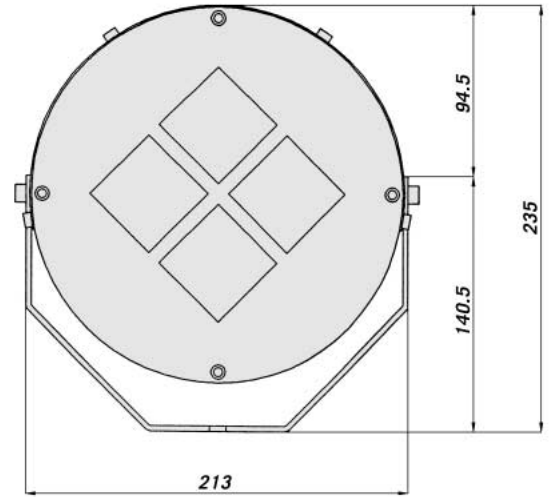
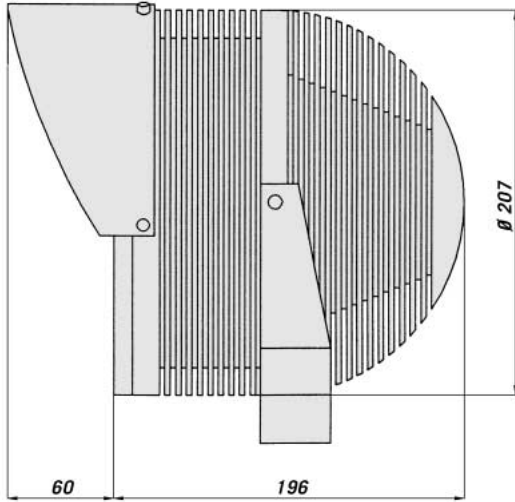
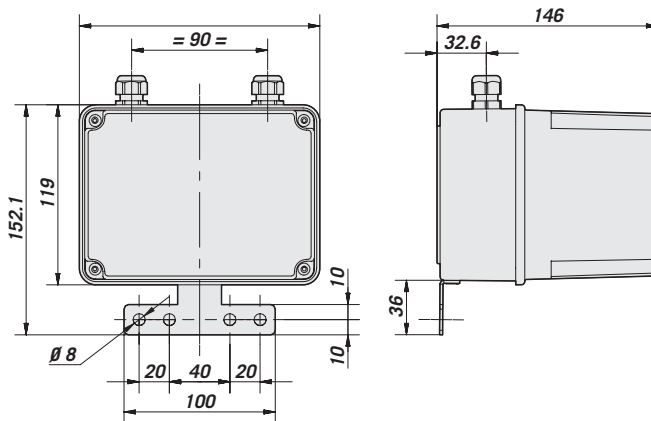
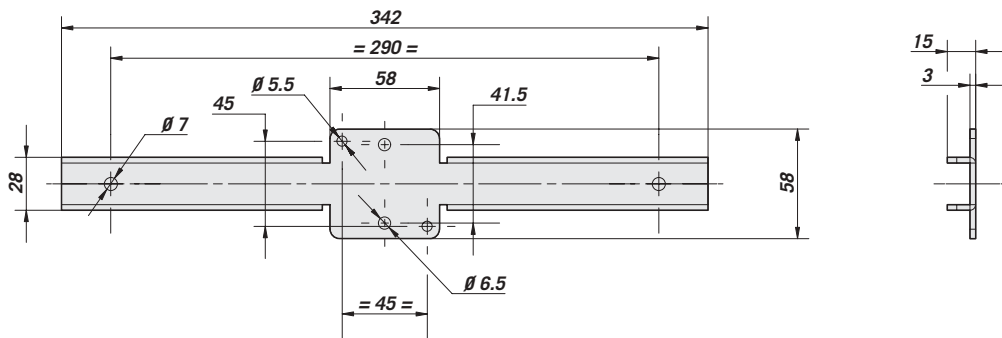
	VAC	HORIZONTAL BEAM	VERTICAL BEAM	DISTANCE (m / ft) *
IR50 spot	12	10°	10°	20 / 65
IR50 flood	12	40°	40°	16 / 52
IR50 wide	12	60°	60°	12 / 39
IR50 flood	230	40°	40°	16 / 52
IR300 spot	230	10°	8°	65 / 213
IR300 flood	230	23°	10°	50 / 164
IR300 wide	230	40°	20°	35 / 114

\* Typical distance of the subject to illuminate; it depends of the reflection coefficient of the illuminated scene, camera sensitivity at IR wavelength, lens combination, etc.

## IR 50



The values are in millimeters.

**IR 300**

**IRPS12**

**IRBA**


The values are in millimeters.



## TECHNICAL DATA

### GENERAL

- Die-cast aluminium body
- Black epoxy polyester powder painted
- Stainless steel screws
- Infrared beam wavelength: 850 nm
- Supplied with: instruction manual, 1,5 m of pre-wired cable

### MECHANICAL

- 1 PG9 cable gland

#### Dimensions (WxHxL):

<b>IR50:</b>	108x124,5x146 mm (4.2x4.9x5.7 in)
<b>IR300</b>	213x235x156 mm (8.3x9.26.1 in)

### ELECTRICAL

#### IR50SP1, IR50FL1, IR50WFL1:

power supply 12VAC, consumption 50W

#### IR50FL2:

power supply 230VAC, consumption 50W

#### IR300SP2, IR300FL2, IR300WFL2:

power supply 230VAC, consumption 300W

### ENVIRONMENT

- Indoor/outdoor
- Operating temperature: -20°C up to +50°C (-4°F up to 122°F)

### COMPLIANCE TO

- CE according to EN 60065
- IP66 (IR50)
- IP65 (IR300)

### SPARE PARTS LIST

<b>OIR12FA</b>	Front panel IR50 complete with filter
<b>OIR220</b>	Complete wiring for IR300
<b>OIR300FA</b>	Front panel IR300 complete with filters



#### Unit Weight (kg / lb):

**IR50:** 0,9 / 1.98  
**IR50 230V:** 0,9 / 1.98  
**IR300:** 5,3 / 11.68  
**IRBA:** 0,6 / 1.3  
**IRPS12:** 2 / 4.4  
**OHPVIRA:** 0,3 / 0.66

#### Package Weight (kg / lb):

**IR50:** 1,1 / 2.42  
**IR50 230V:** 1,1 / 2.42  
**IR300:** 5,55 / 12.23  
**IRBA:** 0,7 / 1.54  
**IRPS12:** 2,25 / 4.96  
**OHPVIRA:** 0,45 / 0.99

#### Package Dimensions (cm / in):

**IR50:** 14,5x15x26,5 / 5.7x5.9x10.4  
**IR50 230V:** 14,5x15x26,5 / 5.7x5.9x10.4  
**IR300:** 23,5x31,5x24,5 / 9.2x12.4x9.6  
**IRBA:** 12x14x34 / 4.7x5.5x13.3  
**IRPS12:** 19x19x19 / 7.4x7.4x7.4  
**OHPVIRA:** 9,5x15,5x23 / 3.7x6.1x9

#### Master Carton (units):

**IR50:** 15  
**IR50 230V:** 15  
**IR300:** 6  
**IRBA:**  
**IRPS12:**  
**OHPVIRA:**