

SPECIAL STAINLESS STEEL LIQUID-COOLED HOUSING

- Designed to operate in high temperature environments
- AISI 316 stainless steel double chamber
- Wide range of accessories available
- Weatherproof standard IP67



NXW

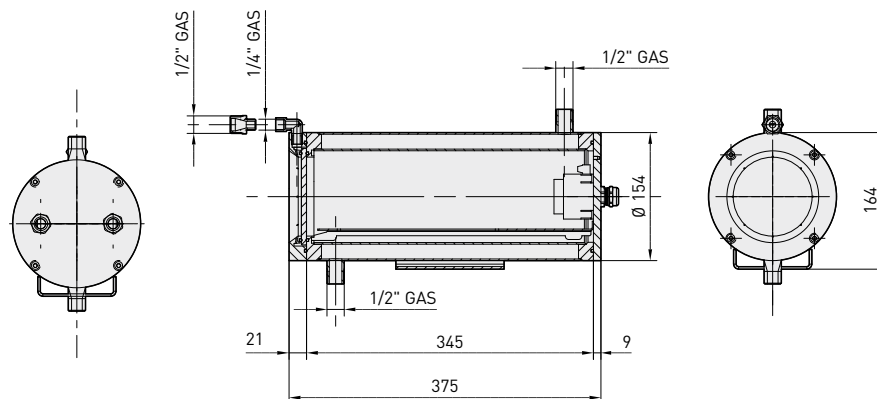
The NXW housing is entirely made of stainless steel and consists of a body with a double chamber for the circulation of a cooling liquid or air. The NXW is enclosed by two thick flanges at either end and allows cables to pass through by means of two PG13.5 cable glands on the back flange. The front flange can be equipped with tempered glass, IR glass or Vicor glass for higher temperature.

A special version is available with IR-proof glass.

Two 1/2" gas connectors allow for the cooling liquid inflow/outflow. The NXW is equipped with an ONXAB1 flange designed to create an air barrier in front of the glass. This prevents the formation of dust deposits and attenuates the heat of the glass itself. With the supplied air barrier, the NXFIGRU filter group is recommended, which purifies the air drawn from a compressor. The solid construction of this housing makes it suitable for heavy duty applications, such as the surveillance of ovens, foundries, and other high temperature environments.



NXW+NXFIGRU+NXWBS1
(pipes not supplied with products)



The values are in millimeters.

TECHNICAL DATA

NXW	
Model	
NXWOK1000	Liquid cooled housing with air barrier (without glass)
NXWOK1025	Liquid cooled housing with air barrier and IR-proof glass

GENERAL

Made of stainless steel (Austenitic alloy stainless steel, corrosion and heat resistant according to the following standards):

- UNI 6900-71: X 2 Cr Ni Mo 17 12
- AISI: 316L
- DIN 17006: X 2 Cr Ni Mo 18 10
- N° WERKSTOFF: 1.4404
- AFNOR: Z2 CND 17-12
- BSI: 316 S 12

The screws utilised are in austenitic alloy stainless steel, corrosion and heat resistant according to the following standards:

- UNI 6900: X 5 Cr Ni Mo 1712
- AISI: 316
- ISO quality: A4
- Resistance class ISO: 80

Supplied with instruction manual, desiccants bag, accessories for camera and lens mounting

UNI: Ente Nazionale Italiano di Unificazione, AISI: American Iron and Standard Institute, DIN: Deutsche Industrie Normen, AFNOR: Association Française de Normalisation, BSI: British Standard Institution, ISO: International Organization for Standardization

MECHANICAL

2 cable glands: 2xPG13.5 in nickel-plated brass for external connections

2 1/2" GAS connectors for liquid input / output

1 1/4" GAS connector for air barrier input

External body polishing

O-ring gaskets

9mm (0.35in) thick back flange

Window Ø 95mm (3.7in)

External dimensions: Ø 154mm (6.1in), length 375mm (14.8in)

Internal usable dimensions (BxH): 78x78mm (3.1x 3.1in)

Usable length

NXW 345mm (13.6in)

Internal usable length with camera power supply

NXW 280mm (11.1in)

Tempered glass

6mm (0.2in) thick

operating temperature 260°C (500°F), thermal gradient 108°C (226°F)

Vicor glass

6mm (0.2in) thick

operating temperature 400°C (752°F), thermal gradient 220°C (428°F)

IR-proof glass

6.6mm (0.25in) thick

operating temperature 260°C (500°F), thermal gradient 108°C (226°F)

IR radiation transmitted 21%

Cooling liquid

Max pressure 10ATMS

Application example with incoming water at 20°C (68°F) temperature:

- T environmental 200°C (392°F), water flow 2 l/min (0.5gal/min), T housing internal 32°C (89.6°F)
- T environmental 300°C (572°F), water flow 2.2 l/min (0.6gal/min), T housing internal 41°C (105.8°F)
- T environmental 400°C (752°F), water flow 6.5 l/min (1.7gal/min), T housing internal 44°C (111°F)

Cooling Air

Application example with incoming air at 17°C and an environmental temperature at 80°C

- pressure 1 Bar -flow rate 1010m³/h, the internal temperature is about 45°C
- pressure 2 Bar -flow rate 1510 m³/h, the internal temperature is about 35°C

Air filtering

Pressure air flow 0.3-2.5 Bar, filter 0.1 micron

Air Barrier

Max pressure 1Bar

ELECTRICAL

Camera power supply

- IN 100-240V AC - OUT 12V DC, 50/60 Hz, 1A
- IN 230V AC - OUT 24V AC, 50Hz, 400mA

ACCESSORIES

ONXWTG Tempered glass

ONXWVG Vicor glass

ONXAB1025 Air barrier with IR-proof glass

ONXPS1B Wide range camera power supply IN 100-240V AC - OUT 12V DC

ONXPS2B Camera power supply IN 230V AC - OUT 24V AC

RELATED PRODUCTS

NXWBS1 Wall bracket for stainless steel housing

ENVIRONMENT

Indoor / Outdoor

COMPLIANCE TO

CE according to EN 61000-6-3, EN 60065, EN 50130-4

IP67



Unit Weight:
NXW 10.2kg / 22.5lb

Package Weight:
NXW 10.8kg / 23.8lb

Package Dimensions (BxHxL):
NXW 24.3x24.2x49.5cm / 9.6x9.5x19.5in

Master Carton:
NXW -