



UPT1SVWA000C

- Unit comprehensive of housing, P&T head and telemetry receiver
- Continuous rotation
- IP66
- Variable speed: 0.1°-100°/s Pan and 0.1°-40°/s Tilt
- OSM configuration
- Available version with encoders
- Multiprotocol
- Patented

ULISSE has been specifically created for applications of video surveillance in external environments.

This new positioning system integrates a high performance P&T head with camera housing and telemetry receiver in a particularly elegant installation, reducing the need for several devices. The unit guarantees an optimal camera position in outdoor installations.

The rotation on the horizontal axis is continuous with a variable speed up to 100°/s while the amplitude on the vertical axis varies from -90° to +40° with a max speed of 40°/s.

ULISSE controls the functions of autopan and patrol with a tracking accuracy of 0.02° on preset positions upon recall. Preset positioning and zoned areas can be labelled with a maximum of 20 characters. Patrol sequences can also be varied with different speed settings in order to customize a perfect patrol pattern.

4 local alarm inputs and two relay outputs allow for intelligent local action (Scanning to a specific preset or patrol sequence on alarm).

ULISSE fits most of combinations of cameras and lenses. It is equipped with thermostatically controlled heater and sunshield assuring an optimal operating temperature; reinforced heater for temperature down to -30°C (-40°F) also available.

A built-in wiper option is available which does not interfere with the viewing range of the installed camera and can also be equipped with incremental encoders which guarantee a real position of Ullisse in any operating condition.

In addition to the On Screen Menu set-up, the system is equipped with an RS232 interface allowing the possibility to update to the latest firmware version.

The positioning system is controlled through a RS485/RS422. The telemetry signal can be transmitted in an active way for chain configuration of several ULISSE units together.

Multiple communication protocols are embedded.

The positioning unit can be used in several kinds of installations, such as: coast and border patrol, harbour control, urban settings, highway and traffic monitoring, stadiums, industries, prisons or military applications, and perimeter surveillance.

TECHNICAL DATA

| ULISSE | | | | | |
|--------------|-----------|-------------------------|------------------------|----------------|----------|
| Model | Sunshield | Power supply 230V AC | Power supply 24V AC | Tergicristallo | Encoders |
| UPT1SVSA000C | • | • | | | |
| UPT2SVSA000C | • | | • | | |
| UPT1SVWA000C | • | • | | • | |
| UPT2SVWA000C | • | | • | • | |
| UPT2SVDA000C | • | | • | • | • |

GENERAL

Build in die-cast aluminium and ABS
 Epoxy polyester powder painting, RAL9002 colour
 Top mount (OTT)
 Transmission through toothed belt
 Slip-ring
 Electronic limit switches
 Plug installation thanks to connector and easy replacement on-site
 Zero backlash
 Supplied with instruction manual

MECHANICAL

3 removable cable glands M16
 Horizontal continuous rotation
 Vertical rotation -90° to +40°
 Variable pan speed: from 0.1° up to 100°/s
 Variable tilt speed: from 0.1° up to 40°/s
 Internal usable area (BxHxL): 104x70x280mm (4.1x2.7x11in)
 Internal usable area with reversed slide (BxHxL): 68.5x84x280mm (2.7x3.3x11in)
 Internal usable area version with wiper: see drawing
 Enclosure glass window (BxH): 118x75mm (4.6x2.9in)

ELECTRICAL/VIDEO

Input voltage: 230Vac or 24Vac, 50/60Hz, 120W max
 Absorbed current: 0.5° [230Vac], 1.0A [120Vac], 4.0A [24Vac]
 Dimensions of input cables: AWG 16-30
 Dimensions of signal cables: AWG 20-28
 Alarm input: 10-35Vdc
 Clean contacts: max 50Vdc or 30Vac @ 1A

Video line: coaxial cable (1Vpp, 750hm)
 Housing standard heater 24Vac, 20W max
 Housing wiper: 24Vac, 50/60Hz, 7W consumption max
 Camera output: 12Vdc, 800mA
 Lens output: 6-15Vdc, max 200mA
 Only polarity inversion lenses
 Autopan, Preset, Patrol
 250 max preset selectable (Videotec Macro Protocol)
 20 characters string for Area and Preset titling
 Preset accuracy: 0.02°

COMMUNICATIONS

OSM configuration
 RS232 interface for PC control set-up and firmware upgrade
 Two RS485 ports for daisy chain configuration
 Addressable through dip-switch up 255 units

PROTOCOL

MACRO
 PELCO D
 SENSORMATIC
 VISTA

Pelco, Sensormatic and Vista are registered trademarks.

Ulisse may be interfaced with equipment not manufactured by Videotec. It is possible that the interface protocols have changed or are in a different configuration from earlier tested units. Videotec recommends a bench test prior to installation. Videotec will not be liable for any installation costs or lost revenues in the event a compatibility problem will occur.

ACCESSORIES

UPTHT1 Reinforced heater for low temperatures, 30W
 UPTWBA Wall bracket with internal cable channel
 UPTWBTA Parapet bracket with internal cable channel

RELATED PRODUCTS

PTCC1 Pole mount adaptor for UPTWBA
 WCWGC Corner adaptor for UPTWBA
 SM42A-82A Matrix 4/8 input and 2 output
 SM84A-164A Matrix 8/16 input and 4 output
 SM328A Matrix 32 input and 8 output
 DCJ Matrix, Mux and Telemetry Control Keyboard with three axis joystick
 DCT Matrix, Mux, DVR and Telemetry Control Keyboard touch screen equipped with three axis joystick
 UPTWAS01B Reservoir 25l with pump, 230Vac
 UPTWAS02B Reservoir 25l with pump, 24Vac
 UPTWASA01B Reservoir 25l with pump, high delivery up to 30m, 230Vac

ENVIRONMENT

Indoor / Outdoor

Operating temperature with heater: -20°C / +60°C (-4°F / +140°F)

Operating temperature with heater: -30°C / +50°C (-22°F / +122°F)

Wind Resistant

- Withstand statically 150km/h (93,2mph) to wind
- Withstand dynamically and operationally with the maximum rotating speed in 90km/h (55,9mph) wind conditions

- Withstand dynamically and operationally with limited rotating speed in 120km/h (74,6mph) wind conditions

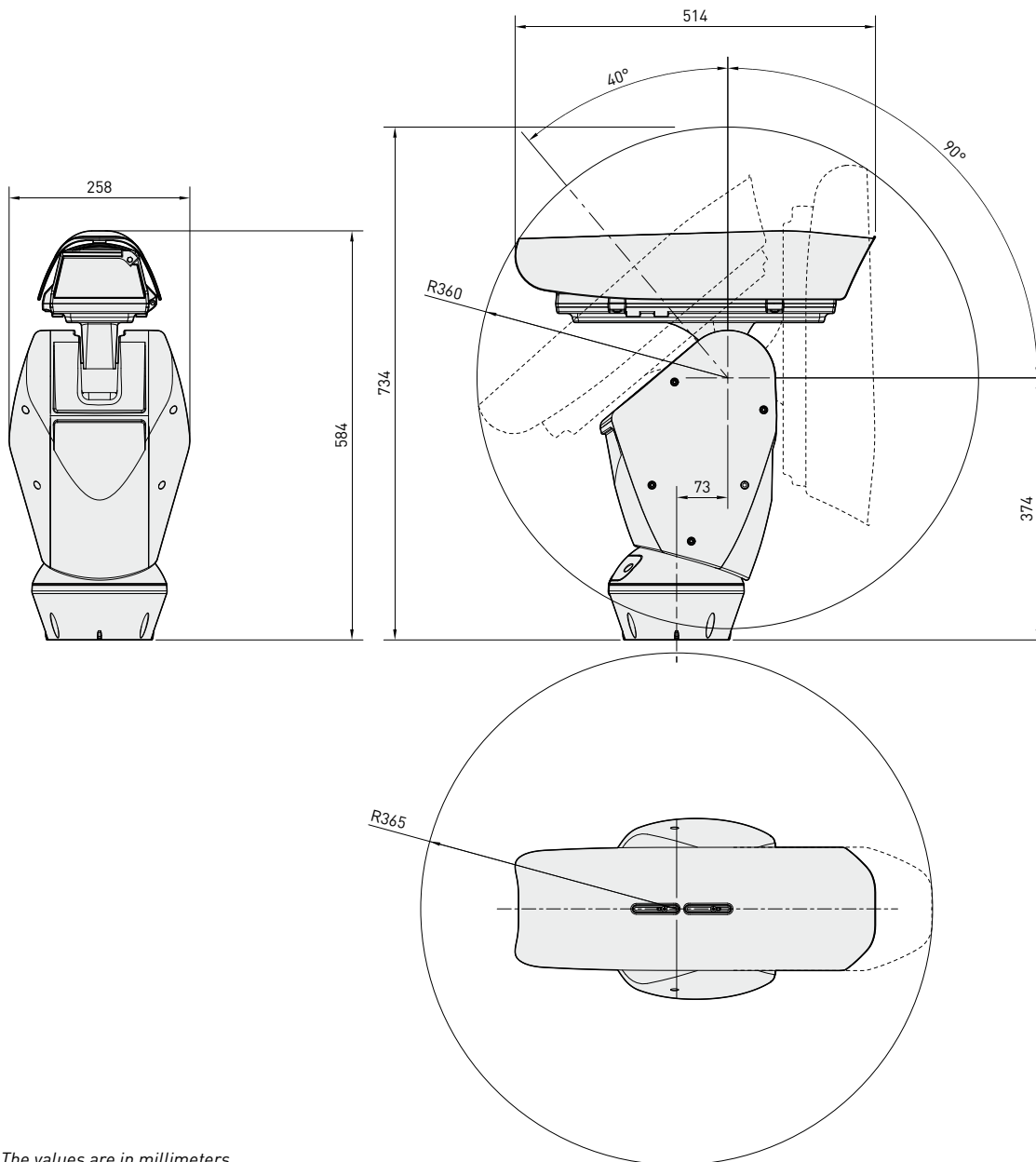
Resistant to the salt-air fog according to EN50130-5 and EN60068-2-52

COMPLIANCE TO

CE according to EN60950, EN61000-3-2 and EN50130-4

FCC part 15

IP66 according to EN60529



The values are in millimeters.



Unit Weight:

UPT1SVSA000C 16.3kg / 36lb

UPT1SVWA000C 16.8kg / 37lb

Package Weight:

UPT1SVSA000C 19.5kg / 43lb

UPT1SVWA000C 20kg / 44lb

Package Dimension (BxHxL):

UPT1SVSA000C 66x33x57cm / 26x13x22.5in

UPT1SVWA000C 66x33x57cm / 26x13x22.5in

Master Carton:

UPT1SVSA000C -

UPT1SVWA000C -