

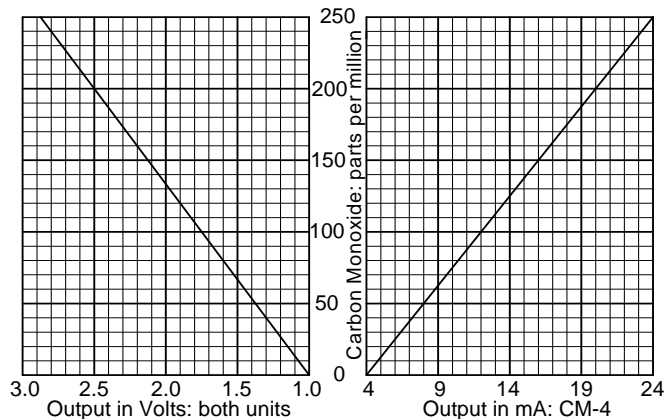
# CARBON MONOXIDE TRANSDUCER

*Analog output CO transducer for use with Macurco SS103-3A, SS103-10A & DVP-120 control panels and Building Automation Systems*

## CM-4

Internal combustion engines (cars, forklifts, etc.) produce carbon monoxide (CO), an odorless, colorless and deadly gas. Operators of enclosed parking garages, warehouses, maintenance facilities, etc., can protect people by either ventilating, continuously or installing automatic fan control systems like the **Macurco SS103 & DVP-120 Systems**. Automatic fan control systems in parking garages normally have a short payback, because fans operate 1 to 2 hours a day rather than 24 hours a day. The **CM-4** is powered from Macurco or other controllers, and provides a linear output to the controller. The **CM-4** conforms to the specifications of most building codes, ASHRAE standards, and occupational health regulations. Typical codes require that CO exposure be 1: 35 ppm or less on the TWA (Time Weighted Average) basis over 8 hours, and 2: 200 ppm or less on the STEL (Short Term Exposure Limit) basis over a one hour period. **Typical coverage is 5000 sq. ft. (464.5 sq. meters) per unit.** The **CM-4** uses a long life solid-state sensor (7 – 10 year), which does not require regular re-calibration. The **CM-4** replaces the SS102HC-1.

- Carbon Monoxide Transducer for use with the Macurco SS103-3A, SS103-10A (DC Voltage) or DVP-120 (4-20 mA) control panels, Building Automation Systems and any controller that accepts analog input.
- Microcomputer controlled operation.
- Dual output (4-20 mA Constant Current Loop or DC Voltage), internal switch.
- Re-calibration in the field with optional kit.
- Every unit factory calibrated.
- Operational status LED light



### CM-4 SPECIFICATIONS

CO Range: 0-250 ppm  
 Output Range: 1.00-2.88 VDC or 4-24 mA for 0-250 ppm of CO  
 Output Type: DC Voltage or 4-20 mA Constant Current Loop  
 Required Power Supply: 12-24 VDC or 12-24 VAC  
 Power Consumption: 2.2 W @ 24 VDC  
 Operating Temperature Range: 0-125 F  
 Size: 4.5 X 4.5 X 2.1 inches  
 Weight: 1 pound  
 Color: gray

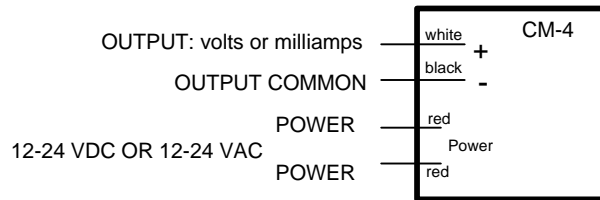
### Distributed by:

	<b>DISTRIBUIDOR AUTORIZADO:</b>
	<b>SEGURANÇA INDUSTRIAL EQUIPAMENTOS</b>
	Fone/Fax: (41) 3287-1364 ou 4063-9687
	home page: <a href="http://www.segind.com.br">www.segind.com.br</a> e-mail: <a href="mailto:cml@segind.com.br">cml@segind.com.br</a>

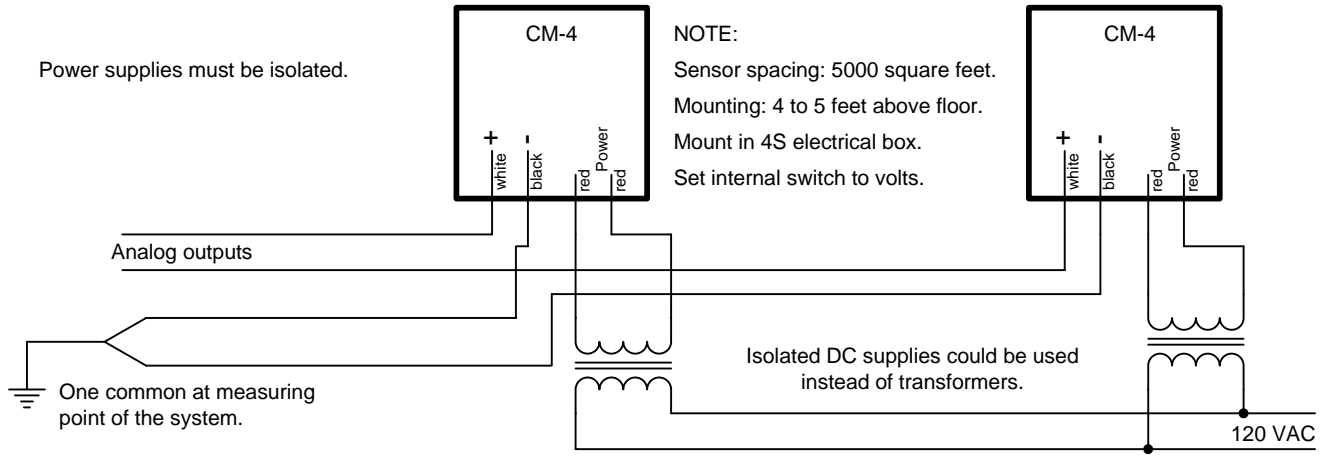
THE CM-4 IS SPECIFICALLY DESIGNED TO BE USED WITH MACURCO CONTROLLERS.  
 SEE THE CM-4 OPERATING INSTRUCTIONS FOR CONNECTIONS TO THOSE CONTROL PANELS.

CONNECTING THE CM-4 WHEN NOT USING MACURCO PANELS.

NORMAL CM-4 HOOKUP



MULTIPLE CM-4 SYSTEM  
 VOLTAGE OUTPUT



MULTIPLE CM-4 SYSTEM  
 4 to 20 mA OUTPUT

