

# SOUNDERS – Up to 110 dB(A) Intrinsically Safe (EExia), Weatherproof DB7 Range



## Introduction

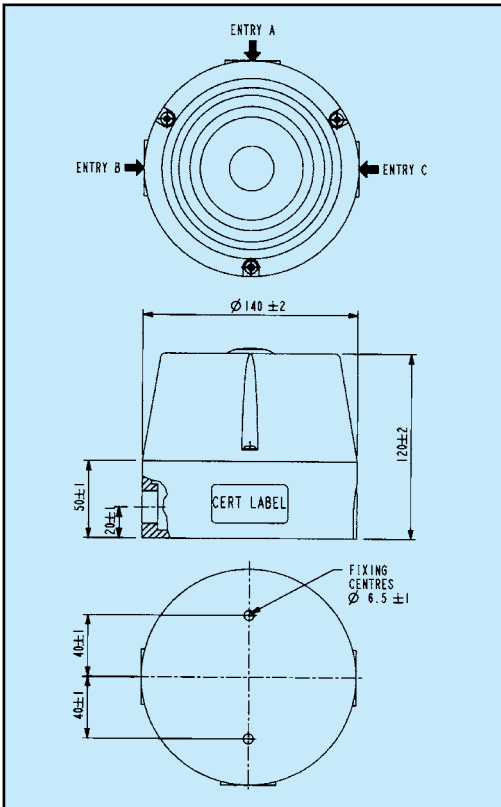
This range of ruggedised, intrinsically safe and weatherproof sounders, intended for use in potentially explosive atmospheres, has been designed with high ingress protection to cope with the harsh environmental conditions found offshore and onshore in the oil, gas and petrochemical industries.

The unit is available in 12V and 24V versions and for gas groups IIB or IIC.

A lower cost, uncertified version is available for use in non-explosive atmospheres.

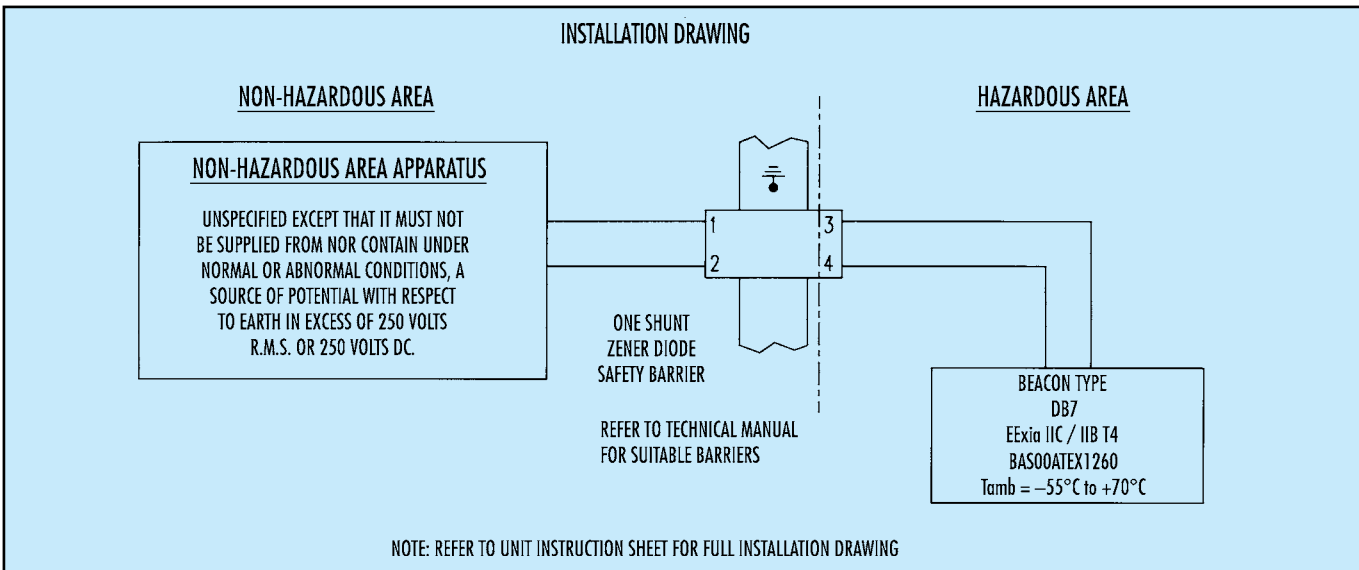
- ★ Zones 0, 1, 2 and safe area use.
- ★ EExia IIB/IIC T4.
- ★ ATEX approved Ex II 1G.
- ★ Weatherproof uncertified version.
- ★ BASEEFA certified.
- ★ GOST 'R' certified.
- ★ IP66 & IP67.
- ★ Certified temperature  $-55^{\circ}\text{C}$  to  $+70^{\circ}\text{C}$ .
- ★ Corrosion resistant red painted GRP.
- ★ Up to 110 dB(A) output.
- ★ 27 tones, user selectable.
- ★ Tones comply with UKOOA/PFEER guidelines.
- ★ Any two tones may be switched by the external voltage supply.
- ★ Retained stainless steel cover screws.

Segurança Industrial Equipamentos  
Fone/Fax: (41) 4063-9687 ou 3287-1364  
cml@segind.com.br - segindbr@hotmail.com  
www.segind.com.br



# Specification

Certification:	CENELEC EN 50014, 20 & 39. Certificate No. BAS00ATEX 1260 (apparat). Certificate No. 96D2362 (system). EExia IIC T4 or EExia IIB T4. Zones 0, 1 & 2. <b>GOST 'R' Certification:</b> 0Exia IIC T4, 0Exia IIB T4.
Material:	UV stable glass reinforced polyester. Retained stainless steel cover screws.
Finish:	Painted red as standard or to customer's specification.
Sound Output:	$107 \pm 3$ dB(A) at 1 metre for 12V and 24V IIB versions. $103 \pm 3$ dB(A) at 1 metre for 12V and 24V IIC versions. Typical value only – variable with tone.
Tone Selection:	Switchable between any two of the 27 tones by reversing the polarity of the supply.
Weight:	1.0 kg.
Certified Temperature:	$-55^{\circ}\text{C}$ to $+70^{\circ}\text{C}$ .
Ingress Protection:	IP66 & IP67.
Voltage:	12V or 24V via suitable barrier.
Current Consumption:	24V models 34mA – 68mA. 12V models 25mA – 55mA.
Terminals:	$8 \times 2.5\text{mm}^2$ .
Labels:	Duty and tag labels available.
Cable Entries:	Up to $3 \times \text{M20}$ via knockouts.



## Ordering Requirements

The following code is designed to help in selection of the correct unit. Build up the reference number by inserting the code for each component into the appropriate box. **For standard products, available ex-stock, contact sales office for details.**

Unit Type	Certification	Voltage	Labels	Colour																															
DB7P	<input style="width: 50px; height: 20px;" type="text"/>	<input style="width: 50px; height: 20px;" type="text"/>	<input style="width: 50px; height: 20px;" type="text"/>	<input style="width: 50px; height: 20px;" type="text"/>																															
<table border="1" style="width: 100%; border-collapse: collapse;"> <thead> <tr> <th>Certification</th> <th>Code</th> </tr> </thead> <tbody> <tr><td>Uncertified</td><td>W</td></tr> <tr><td>ATEX/CENELEC IIB</td><td>BB</td></tr> <tr><td>ATEX/CENELEC IIC</td><td>BC</td></tr> <tr><td>GOST 'R' IIB</td><td>GB</td></tr> <tr><td>GOST 'R' IIC</td><td>GC</td></tr> </tbody> </table>	Certification	Code	Uncertified	W	ATEX/CENELEC IIB	BB	ATEX/CENELEC IIC	BC	GOST 'R' IIB	GB	GOST 'R' IIC	GC	<table border="1" style="width: 100%; border-collapse: collapse;"> <thead> <tr> <th>Voltage</th> <th>Code</th> </tr> </thead> <tbody> <tr><td>12V</td><td>012</td></tr> <tr><td>24V</td><td>024</td></tr> </tbody> </table>	Voltage	Code	12V	012	24V	024	<table border="1" style="width: 100%; border-collapse: collapse;"> <thead> <tr> <th>Label</th> <th>Code</th> </tr> </thead> <tbody> <tr><td>Duty</td><td>D*</td></tr> <tr><td>Tag</td><td>T*</td></tr> <tr><td>None</td><td>N</td></tr> </tbody> </table> <p>*Please specify wording</p>	Label	Code	Duty	D*	Tag	T*	None	N	<table border="1" style="width: 100%; border-collapse: collapse;"> <thead> <tr> <th>Colour</th> <th>Code</th> </tr> </thead> <tbody> <tr><td>Painted Red</td><td>R</td></tr> <tr><td>Special</td><td>S*</td></tr> </tbody> </table> <p>*Please specify</p>	Colour	Code	Painted Red	R	Special	S*
Certification	Code																																		
Uncertified	W																																		
ATEX/CENELEC IIB	BB																																		
ATEX/CENELEC IIC	BC																																		
GOST 'R' IIB	GB																																		
GOST 'R' IIC	GC																																		
Voltage	Code																																		
12V	012																																		
24V	024																																		
Label	Code																																		
Duty	D*																																		
Tag	T*																																		
None	N																																		
Colour	Code																																		
Painted Red	R																																		
Special	S*																																		