

21 JOULE XENON BEACONS

EExd, Weatherproof

XB12 Range



Introduction

These high output certified beacons have been designed for use in potentially explosive atmospheres and harsh environmental conditions. The enclosures are suitable for use offshore or onshore, where light weight combined with corrosion resistance is required.

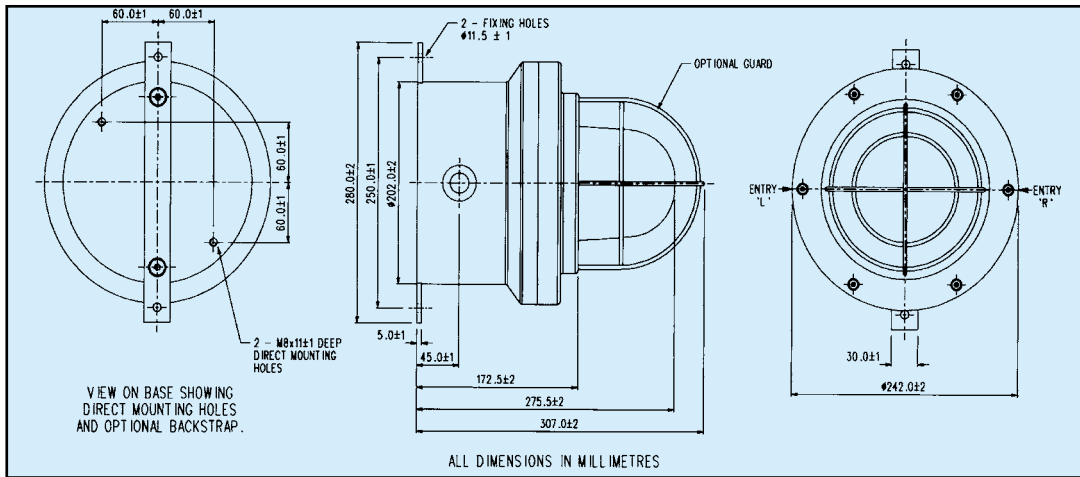
The beacon housing is manufactured completely from a U.V. stable, glass reinforced polyester. Stainless steel screws and mounting bracket are incorporated ensuring a totally corrosion free product.

Units can be painted to customer specification and supplied with identification labels.

- ★ Zone 1 and Zone 2 use.
- ★ EExd, IIB T4 & T5.
- ★ ATEX approved, Ex II 2G.
- ★ BASEEFA Certified.
- ★ UL Listed for USA and Canada
 - Hazardous locations:
 - Class I, Div 2, Groups C & D.
 - Class I, Zones 1 & 2, AExd IIB T4 & T5.
 - Ordinary locations: Visual-Signal Device.
 - Marine Listed
- ★ GOST 'R' & 'K' Certified.
- ★ Chinese (CQST) Certified.
- ★ High Output (21 Joules).
- ★ IP66 and IP67.
- ★ Certified temperature -55°C to $+70^{\circ}\text{C}$.
- ★ Corrosion resistant GRP.
- ★ Optional stainless steel backstrap.
- ★ Various lens colours.
- ★ Optional lens guard.
- ★ Optional telephone initiation.
- ★ Twin replaceable tubes.

* Model dependent.

† See FL11, FB11, FL12, FB12 datasheet.



Specification

Certification: CENELEC EN50014 and EN50018.
 Cert. No. BAS 99 ATEX 2196. EExd IIB T4 & T5.
UL Listed for USA and Canada:
 - Hazardous locations:
 Class I, Div 2, Groups C & D and
 Class I, Zones 1 & 2, AExd IIB T4 & T5.
 UL Listing No: E187894.
 - Ordinary locations: Visual-Signal Device.
 - Marine Listed
 UL Listing No. S8128.
 Refer to UL Datasheet at rear of catalogue for complete information.
GOST 'R' Certification: 1Exd IIB T4/T5.
GOST 'K' Certification: Exd IIB T4/T5.
Chinese (CQST) Certification: Exd IIB T4/T5.

Material: Body: - Glass reinforced polyester (GRP).
 Lens: - Glass
 Cover Screws + Backstrap: - Stainless steel 316.

Finish: Natural black or painted to customer specification.

Weight: 7.0Kg.

Certified: EExd -55°C to +70°C (T4). -55°C to +40°C (T5).
 Temperature: UL -55°C to +70°C (Hazardous Locations).
 -55°C to +55°C (Ordinary Locations).

Ingress Protection: IP66 & IP67.

Fire Retardancy: GRP is fire retardant to ISO 1210.

Earth Continuity: Optional for metal glands provided via a brass plate (not available in UL version).

Terminals: 6 x 6.0mm².

Telephone initiation: Initiation by telephone ringing tone.

Labels: Duty/Tag Label optional.

Entries: 2 x 20mm ISO EExd.
 2 x 1/2" NPT UL.

	DC	AC50/60 Hz	
Voltage	24	110	240
XB12 Tube Energy (Joules)	21	21	21
Peak Current Consumption (mA)	1400	350	185
Effective Intensity (Cd)	355	355	355
Peak Intensity (Cd)	123691	123691	123691
Power Consumption (Watts)	33.6	38.5	44.4

NOTE: The Cd figures are for a clear lens @ 1Hz flash rate.

For Coloured Lenses

Colour	Red	Blue	Amber	Green	Yellow
Multiplying Factor	0.15	0.12	0.51	0.49	0.86

The photometric data has been verified by BSI. A report is available if required.

Ordering Requirements

The following code is designed to help in the selection of the correct unit. Build up the reference number by inserting the code for each component into the appropriate box. **For standard products, available ex-stock, contact sales office for details.**

Certification Voltage Flash Rate Lens Colour Lens Guard Unit Fixing Earth Continuity Tag/Duty Label Options Unit Finish

XB12

Certification	Code
Uncertified	W
ATEX	B
UL	UL
UL (ordinary locations)	UW
UL Marine	UM
GOST 'R'	G
GOST 'K'	K
Chinese (CQST)	Q

Guard	Code
None	N
Yes	Y

Label	Code
None	N
Yes	Y
(Please specify)	

Options	Code
*Telephone	T
Blanking Plug	P
None	N

*Telephone option not available in UL version.

Colour	Code
Red	R
Blue	B
Green	G
Amber	A
Yellow	Y
Clear	C

Unit Fixing	Code
Direct Mounting	D
Backstrap	B

Continuity*	Code
None	N
Yes	Y

*Earth continuity not available in UL version.

Finish	Code
Natural Black	N
Red	R
Blue	B
Yellow	Y
Grey	G
White	W
Special Finish	S

Voltage	Code
24V d.c.	024
110V a.c.	110
240V a.c.	240
Other voltages available, please specify.	

Flash Rate	Code
60/min	06
Other flash rates available, please specify.	

All the above specifications, dimensions, weights and tolerances are nominal (typical) and MEDC reserve the right to vary all data without prior notice. No liability is accepted for any consequence of use.