

10 JOULE XENON BEACONS

UL Listed Only, Weatherproof

XB16 Range



Introduction

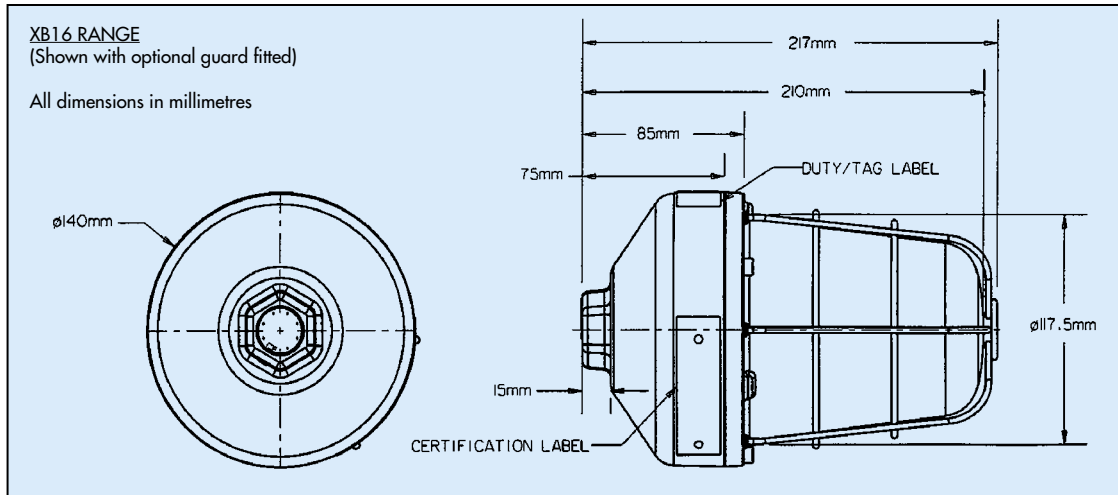
These listed beacons have been designed for use in potentially explosive atmospheres and harsh environmental conditions. The enclosures are suitable for use offshore or onshore, where light weight combined with corrosion resistance is required.

The housing is manufactured from a U.V. stable, glass reinforced polyester, with the lens manufactured from a U.V. stable polycarbonate. Stainless steel screws are used ensuring a totally corrosion-free product.

The model XB16 contains supervisory diode and four wire leads for fire alarm applications. This beacon is also available UL 1971 (ADA) listed for hearing impaired applications.

Units can be painted to customer specification and supplied with identification labels.

- ★ UL listed for USA and Canada
 - Hazardous locations for USA and Canada Class I, Div. 2, Groups A, B, C & D*.
 - Class II, Div. 2, Groups F & G.
 - UL 1971 compliant version available†.
 - Ordinary locations: Visual Signal Device
 - 'T' Rating model dependent. Contact sales office for information.
 - ★ IP66 & 67.
 - ★ Certified temperature -55°C to $+70^{\circ}\text{C}$.
 - ★ Pipe mount with $\frac{3}{4}$ " NPT entry.
 - ★ Corrosion-free GRP enclosure.
 - ★ 580,000 peak candlepower.
 - ★ Polycarbonate lens, various colors available†
 - ★ 4 wire diode monitored board.
 - ★ Optional relay initiate.
 - ★ Optional lens guard.
- *Conforms to UL standard or regulated voltage.
†UL 1971 version available with clear lens only.



Specification

Certification:	UL Listed for USA and Canada: – Hazardous locations for USA and Canada: UL1604. Class I, Div. 2, Groups A, B, C & D. Class II, Div. 2, Groups F & G. UL listing No. E251185. – Ordinary locations: Visual Signal Device: UL1638. UL listing No. E251185. – Hazardous locations for hearing impaired: UL1971. UL listing No. E251185.
Material:	Body: Glass reinforced polyester. Lens: U.V. stable polycarbonate. Lens screws: stainless steel 316.
Finish:	Natural black or painted to customer specification.
Voltage:	24, 48V d.c. 110, 120, 230, 240, 254V a.c. Conforms to UL regulated voltage output (24Vdc, 120Vac, 240Vac).
Certified Temperature:	-55°C to +70°C
Tube Energy:	10 Joules.
Tube life:	>1 x 10 ⁶ flashes.

Weight:	1.0 Kg						
Ingress Protection:	IP66 & IP67.						
Entries:	Standard 1 x 3/4" NPT pipe mount. (Contact MEDC if 1/2" NPT is required).						
Terminals:	8 x 2.5mm ² .						
Labels:	Tag/Duty label option.						
Electrical ratings:							
	DC	AC					
Voltage	24	48	110	120	230	240	254
Current	0.89	0.30	0.38	0.38	0.22	0.22	0.18
Effective candlepower (Cd):	285 at 60 f.p.m.						
Peak candlepower:	580,000 (Peak candlepower is the maximum light intensity generated by a flashing light during its light pulse)						
UL 1971 On-axis output:	15 Cd.						
Multiplying factor for colored lenses:							
	Red	Blue	Amber	Green	Yellow		
	0.15	0.12	0.51	0.49	0.86		
Relay Initiate:	24V dc relay initiate only.						

Ordering Requirements

The following code is designed to help in the selection of the correct unit. Build up the reference number by inserting the code for each component into the appropriate box.

Model	Certification	Voltage	Flashrate	Lens Color	Guard	Options	Unit Finish																																																																																		
XB16	<input type="text"/>	<input type="text"/>	<input type="text"/>	<input type="text"/>	<input type="text"/>	<input type="text"/>	<input type="text"/>																																																																																		
	<table border="1"> <tr><th>Certification</th><th>Code</th></tr> <tr><td>UL</td><td>UL</td></tr> <tr><td>UL (ordinary locations)</td><td>UW</td></tr> <tr><td>UL 1971</td><td>US</td></tr> </table>	Certification	Code	UL	UL	UL (ordinary locations)	UW	UL 1971	US	<table border="1"> <tr><th>Voltage</th><th>Code</th></tr> <tr><td>24V d.c.</td><td>024</td></tr> <tr><td>48V d.c.</td><td>048</td></tr> <tr><td>110V a.c.</td><td>110</td></tr> <tr><td>120V a.c.</td><td>120</td></tr> <tr><td>230V a.c.</td><td>230</td></tr> <tr><td>240V a.c.</td><td>240</td></tr> <tr><td>254V a.c.</td><td>254</td></tr> </table>	Voltage	Code	24V d.c.	024	48V d.c.	048	110V a.c.	110	120V a.c.	120	230V a.c.	230	240V a.c.	240	254V a.c.	254	<table border="1"> <tr><th>Flashrate</th><th>Code</th></tr> <tr><td>60 fpm</td><td>60</td></tr> <tr><td>80 fpm</td><td>80</td></tr> <tr><td>120 fpm</td><td>120</td></tr> </table>	Flashrate	Code	60 fpm	60	80 fpm	80	120 fpm	120	<table border="1"> <tr><th>Color</th><th>Code</th></tr> <tr><td>Red</td><td>R</td></tr> <tr><td>Blue</td><td>B</td></tr> <tr><td>Green</td><td>G</td></tr> <tr><td>Amber</td><td>A</td></tr> <tr><td>Yellow</td><td>Y</td></tr> <tr><td>Clear</td><td>C*</td></tr> <tr><td colspan="2">*UL 1971 version available with clear lens only</td></tr> </table>	Color	Code	Red	R	Blue	B	Green	G	Amber	A	Yellow	Y	Clear	C*	*UL 1971 version available with clear lens only		<table border="1"> <tr><th>Guard</th><th>Code</th></tr> <tr><td>Yes</td><td>Y</td></tr> <tr><td>None</td><td>N</td></tr> </table>	Guard	Code	Yes	Y	None	N	<table border="1"> <tr><th>Option</th><th>Code</th></tr> <tr><td>Tag label</td><td>T</td></tr> <tr><td>Duty label</td><td>D</td></tr> <tr><td>Relay initiate*</td><td>R</td></tr> <tr><td>None</td><td>N</td></tr> <tr><td colspan="2">*Suitable for 24V dc supplies only.</td></tr> </table>	Option	Code	Tag label	T	Duty label	D	Relay initiate*	R	None	N	*Suitable for 24V dc supplies only.		<table border="1"> <tr><th>Finish</th><th>Code</th></tr> <tr><td>Natural Black</td><td>N</td></tr> <tr><td>Red</td><td>R</td></tr> <tr><td>Blue</td><td>B</td></tr> <tr><td>Yellow</td><td>Y</td></tr> <tr><td>Green</td><td>G</td></tr> <tr><td>White</td><td>W</td></tr> <tr><td>Special Finish</td><td>S</td></tr> </table>	Finish	Code	Natural Black	N	Red	R	Blue	B	Yellow	Y	Green	G	White	W	Special Finish	S
Certification	Code																																																																																								
UL	UL																																																																																								
UL (ordinary locations)	UW																																																																																								
UL 1971	US																																																																																								
Voltage	Code																																																																																								
24V d.c.	024																																																																																								
48V d.c.	048																																																																																								
110V a.c.	110																																																																																								
120V a.c.	120																																																																																								
230V a.c.	230																																																																																								
240V a.c.	240																																																																																								
254V a.c.	254																																																																																								
Flashrate	Code																																																																																								
60 fpm	60																																																																																								
80 fpm	80																																																																																								
120 fpm	120																																																																																								
Color	Code																																																																																								
Red	R																																																																																								
Blue	B																																																																																								
Green	G																																																																																								
Amber	A																																																																																								
Yellow	Y																																																																																								
Clear	C*																																																																																								
*UL 1971 version available with clear lens only																																																																																									
Guard	Code																																																																																								
Yes	Y																																																																																								
None	N																																																																																								
Option	Code																																																																																								
Tag label	T																																																																																								
Duty label	D																																																																																								
Relay initiate*	R																																																																																								
None	N																																																																																								
*Suitable for 24V dc supplies only.																																																																																									
Finish	Code																																																																																								
Natural Black	N																																																																																								
Red	R																																																																																								
Blue	B																																																																																								
Yellow	Y																																																																																								
Green	G																																																																																								
White	W																																																																																								
Special Finish	S																																																																																								

Distribuição: Segurança Industrial Equipamentos
Fone/Fax: (41) 4063-9687 ou 3287-1364
cml@segind.com.br - segindbr@hotmail.com
www.segind.com.br