

LTC 0620 Series Dinion^{XF} Day/Night Cameras 540 TVL



Security Systems



- 15-bit DSP Technology
- Superb sensitivity
- Mechanically switching IR filter for IR sensitivity at night
- XF-Dynamic for unsurpassed wide dynamic range
- Bilinx Communication for remote set-up and control
- Default Shutter eliminates motion blurring
- Four area video motion detection
- 540 TVL resolution

The LTC 0620 High Performance 1/2-inch Digital CCD Day/Night Camera ensures the highest image quality possible at any time. Depending on the available light the camera will automatically switch from color to monochrome.

A unique combination of 15-bit digital video processing that enhances sensitivity and XF-Dynamic which extends the dynamic range provides a sharper, more detailed image with outstanding accuracy in color reproduction.

All Dinion cameras are supplied ready to operate. Simply attach and focus the lens, then connect power. No tools are required for back focus and power connection. For especially challenging situations where fine tuning or special settings are required, the camera parameters can be individually set using the control buttons on the side of the camera and On-screen Display (OSD). The camera automatically detects the lens type. The Lens Wizard ensures accurate back-focusing for perfectly sharp pictures at all times.

Functions

XF-Dynamic

The highly accurate 15-bit digital signal is automatically processed to optimally capture the detail in both the high and low light areas of the scene simultaneously, maximizing the information visible in the picture.

Bilinx Technology

Bilinx is a bi-directional communication capability embedded in the video signal of all Bosch Dinion cameras. Technicians can check status, change camera settings and even update firmware from virtually anywhere along the video cable. Bilinx reduces service and installation time, provides for more accurate set-up and adjustment, and improves overall performance. In addition, Bilinx uses the standard video cable to transmit alarm and status messages, providing superior performance without additional installation steps.

Video Motion Detection

The built-in video motion detector allows you to select up to four fully programmable areas with individual thresholds. The global scene change detector minimizes false alarms caused by sudden lighting condition changes, such as switching on or off the indoor or security lighting. When motion is detected alarms may be displayed in the video signal while the output relay can be closed in addition to alarm message transmission on Bilinx.

Auto Black

The automatic black level feature enhances contrast by compensating for reduced contrast (i.e. glare, fog, mist).

Default Shutter

The LTC 0620 features a fast, default shutter speed in sufficient lighting conditions to capture moving objects. When light levels fall and other adjustments have been exhausted, the shutter speed reverts to the standard setting to maintain sensitivity.

Back Light Compensation (BLC)

Offering a fully programmable BLC area of interest, and a variable BLC level, the camera can be easily set up for even the most challenging entrance applications.

Lens Wizard

The Lens Wizard automatically detects the lens type and helps focus the lens at the maximum opening to ensure proper focus is maintained throughout the 24-hour cycle. No special tools or filters are required.

Programmable Modes

Three independent, preprogrammed operating modes support typical applications, but are fully programmable for individual situations. Switching between modes is easy via Bilinx or the external alarm input.

Day/Night Mode

The Day/Night Mode LTC 0620 provides enhanced night viewing by increasing the IR sensitivity. The IR filter can switch from color to monochrome automatically by either sensing the illumination level or via the alarm input. The filter can be switched manually via the alarm input, through the camera menu or via the Bilinx coaxial control interface. An internal through the lens IR detector enhances the monochrome mode stability, as it prevents reverting to the color mode when IR illumination is dominant.

SensUp

By increasing the integration time on the CCD up to 10 times, the effective sensitivity is dramatically enhanced. This is especially useful when relying only on moonlight for illumination.

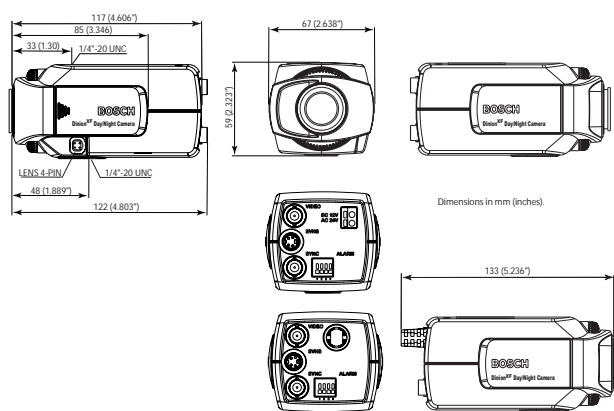
Parts Included

Quant.	Component
1	LTC 0620 Series Dinion ^{XF}
1	C/CS – mount conversion ring
1	Spare male 4-pin lens connector

Certifications and Approvals

Electro Magnetic Compatibility	
Emission	EN55022 class B, FCC class B part 15
Immunity	EN50130-4 Alarm Systems, Part 4
Vibration	Camera with 500 gr (1.1 lbs) lens according to IEC60068-2-27
Safety	
EN60065 (/11 and /51 models)	
UL6500, cUL CAN/CSA E60065-00 (/21 and /61 models)	

Installation/Configuration Notes



Dimensions in mm (inches)

Technical Specifications		
Electrical		
Type No.	LTC0620/11	LTC0620/21
	LTC0620/51	LTC0620/61
CCD type	1/2-inch interline	
Active pixels	752 x 582 (PAL)	768x492 (NTSC)
Sensitivity (Full video)	1.4 lux*	
Sensitivity 50 IRE	0.31 lux / 0.052 lux (Monochrome Mode)*	
Minimum illumination	0.18 lux / 0.024 lux (Monochrome Mode)*	
Minimum illumination with sens up	0.018 lux / 0.0024 lux (Monochrome Mode)*	
Min. Resolution	540 TVL	
SNR	> 50 dB	
Video output	1 Vpp, 75 Ω	
Y/C output	Y: 1 Vpp / C: 0.3 Vpp	
Sync.	Internal, Line Lock, HV-lock and Genlock (Burst lock) selectable	
Shutter	Auto (1/60 (1/50) to 1/500000), Fixed, Flickerless, Default	
Sensitivity up	Off, Automatic continuous up to 10x	
Auto Black	On, Off selectable	
Range	32x dynamic range enhancement	
Noise Reduction	Auto, Off selectable	
Contour	Sharpness enhancement level selectable	
BLC	Off, Area and Level selectable	
Gain	Auto (maximum level selectable to 28 dB) or fixed level selectable	
Lens Mount	CS (max lens protrusion 5 mm, 0.2 inch)	
White balance	ATW (2500 - 10000 K), AWB hold, Manual WB selectable	
VMD	4 area, sensitivity selectable	
Alarm output	VMD or Bilinx	
Alarm Input (TTL)	Profile switching, +5 V nominal, +40 VDC max	
Alarm Output Relay	max. 30 VAC or +40 VDC, Max 0,5 A continuous, 10 VA	
External sync input	75 Ω or High Impedance selectable	
Cable compensation	Up to 1000 m (3000 ft) coax without external amplifiers (automatic set-up in combination with coaxial communication)	
Camera ID	16 character editable string, position selectable	
Lens types	Manual, DC and Video Iris auto-detect with override DC-IRIS drive: max 50 mA continuous Video iris: 11.5 ± 0.5 VDC, max 50 mA continuous	

Electrical			
Remote control	Bilinx Coaxial Communication		
Power Consumption	4 W		
Power Supply	/11 and /21	12 - 28 VAC,	45 - 65 Hz
		11 - 39 VDC	
	/51 and /61	85 - 265 VAC,	45 - 65 Hz

Mechanical	
Dimensions (H x W x L)	59 x 67 x 122 mm (2.28 x 2.6 x 4.8 inch) without lens
Weight	450 g (0.99 lbs) without lens
Tripod mount	Bottom (isolated) and top 1/4-inch 20 UNC
Controls	OSD with softkey operation

Environmental	
Operating Temperature	-20°C to +50°C (-4°F to +122°F)
Storage Temperature	-25°C to +70 °C (-13°F to +158°F)
Ambient humidity	20% to 93% RH, storage up to 98% RH
Operating	

Ordering Information

Model & Description

LTC 0620/11 DinionXF Day/Night Cameras

Dinion^{XF}, 1/2-inch Day/Night, PAL, Low Voltage

LTC 0620/21 DinionXF Day/Night Cameras

Dinion^{XF}, 1/2-inch Day/Night, NTSC, Low Voltage

LTC 0620/51 DinionXF Day/Night Cameras

Dinion^{XF}, 1/2-inch Day/Night, PAL, High Voltage

LTC 0620/61 DinionXF Day/Night Cameras

Dinion^{XF}, 1/2-inch Day/Night, NTSC, High Voltage

Hardware Accessories

LTC 3264/30 Varifocal Lens

1/2-inch Varifocal lens 4.5 – 10 mm, DC-IRIS, CS-mount
f/1.6-360, 4 pin

LTC 3274/41 Varifocal Lens

1/2-inch Varifocal lens 7.5 – 75 mm, DC-IRIS

LTC 3283/20 Zoom Lens

Zoom lens, video iris, 1/2-inch, 8.0 – 48 mm, CS-mount f/1.4-360,
4-pin

TC120PS Power Transformer

PSU (110 – 120 VAC / 15 VDC, 300 mA, 50 / 60 Hz)

TC220PS Power Transformer

PSU (220 – 240 VAC / 15 VDC, 600 mA, 50 / 60 Hz)

TC220PSX-24 Power Transformer

Transformer (220 – 240 VAC / 24 VAC, 800 mA 50 Hz)

TC1334 Power Transformer

120 VAC, 60 Hz 24 VAC, 30 VA

Software Options

VP-CFGSFT Configuration Software

Configuration software for cameras using Bilinx. Includes VP-USB
Adaptor.

Distribuição: Segurança Industrial Equipamentos
e-mail: cml@segind.com.br
fone/fax: (41) 3287-1364 ou 4063-9687
home page: www.segind.com.br

BOSCH