

AdaptaHorn® Grille Type Hazardous Location Horn

Outdoor Rated, NEMA Type 4X

878EX & 879EX Series

FEATURES

- > Corrosion resistant heat flowed epoxy finish
- > Low current drain

AGENCY APPROVALS

- > UL Listed for Class I, Division 1 and 2, Groups B, C, and D; Class II, Division 1 and 2, Groups E, F, and G; and Class III locations
- > UL Listed for outdoor locations
- > NEMA Type 4X Rated

SPECIFICATIONS

- > Wide operating voltage range -20% to +10% of nominal voltage
- > Power connection wires embedded in sealing compound

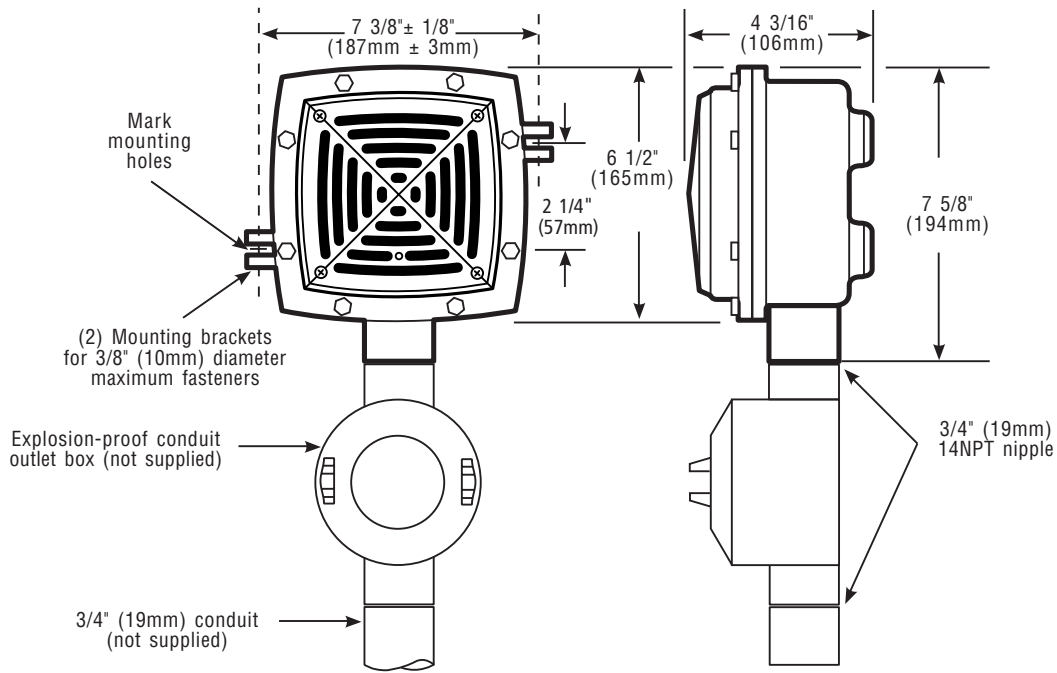
The Edwards 878EX AC & 879EX DC Series are heavy-duty, high decibel, vibrating horn signals designed for use in hazardous locations.

Two mounting brackets are provided on either side of the unit for wall mounting. The housing is tapped on one side for 3/4" (19mm) conduit to allow for field wiring installation.

For use in dusty, hazardous atmospheres where a distinctive, urgent signal is required for timing, scheduling, paging and general alarm applications. Typical applications include use in mines, petroleum plants, gas plants, grain elevators, flour mills, paper mills, textile plants and tankers.



TECHNICAL INFORMATION



Cat. No.	Volts	Amps	V A	DC coil Res. (Ohms)	dB at 10 Ft.
878EX-E5	12V 50/60 Hz	1.25	15	1.45	97
878EX-G5	24V 50/60 Hz	0.625	15	5.2	
878EX-N5	120V 50/60 Hz	0.13	15	150.0	
878EX-R5	240V 50/60 Hz	0.065	15.6	580.0	
879EX-C1	6V DC	0.70	4.2	1.4	97
879EX-E1	12V DC	0.27	3.2	6.0	
879EX-G1	24V DC	0.16	3.8	24.0	
879EX-J1	32V DC	0.13	3.2	40.0	
879EX-K1	48V DC	0.07	3.4	96.0	
879EX-P1	125V DC	0.025	3.1	600.0	