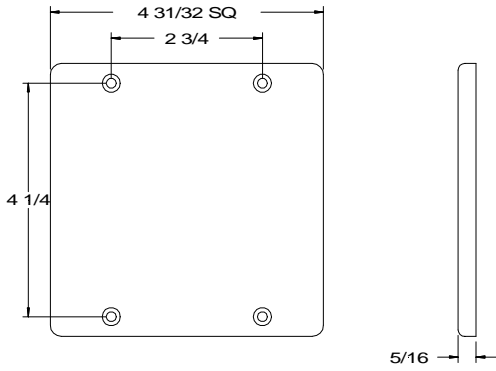
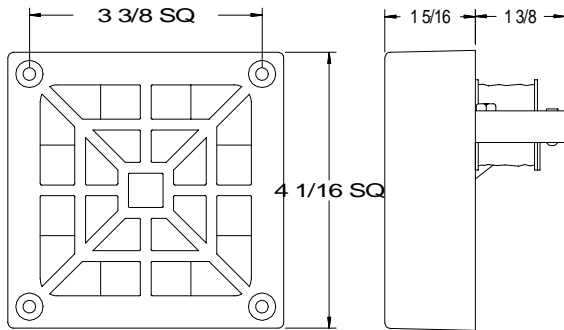


Product Dimensions

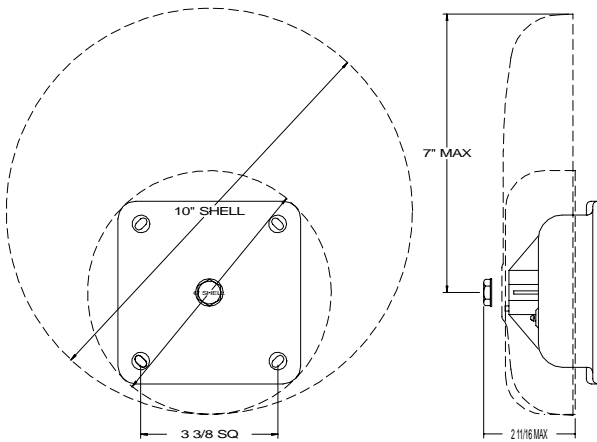
SERIES SM/DSM



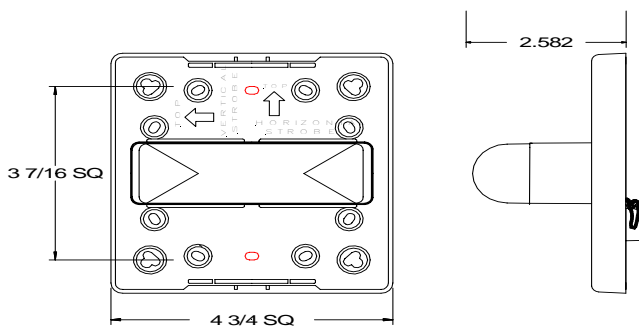
SERIES 31T



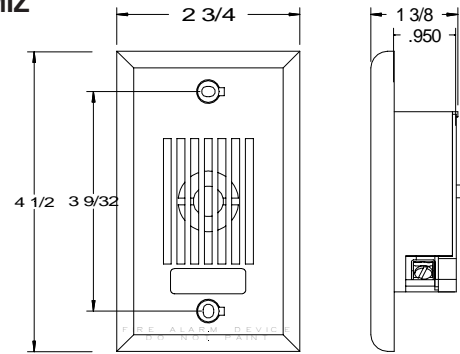
SERIES MB & 43T BELLS



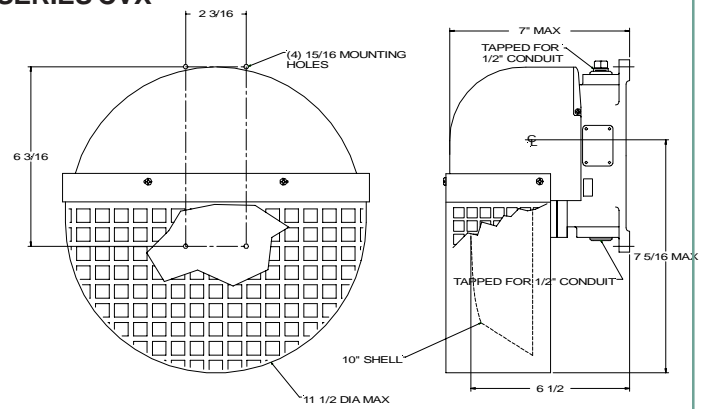
SERIES RSS



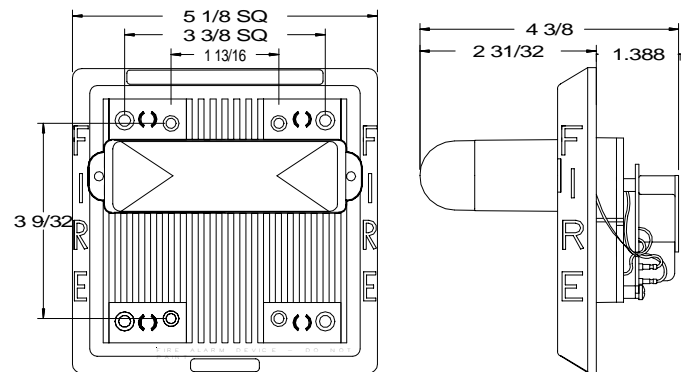
SERIES MIZ



SERIES CVX



SERIES AMT, HS4, MT



SERIES NS, NH

