

High-Resolution, Weatherproof Ball Camera



This camera's ball-shaped housing can be rotated 350° and tilted 90° during installation.

The ultra compact and weatherproof Ball Camera features a gray or black Lexan® housing that can be rotated 350° and tilted 90° during installation. It can be mounted to a ceiling, wall, or over a single gang box. It will withstand temperatures ranging from 14 to 122 °F (-10 to 50 °C).

The Ball Camera can be ordered with a black-and-white

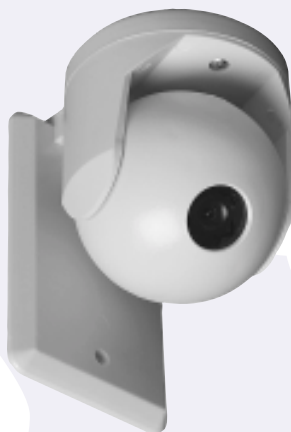
camera that delivers 580 TV lines of resolution and is sensitive to 0.1 lux, a color camera that delivers 480 TV lines of resolution and is sensitive to 1.0 lux, or a color/monochrome camera that delivers 480 TV lines of resolution. During the day, the color/monochrome camera provides a high-resolution, color image that is sensitive to

Features

- Weatherproof housing operates in temperatures from 14 to 122 °F (-10 to 50 °C).
- Gray or black Lexan construction
- Compact—only 3.0 inches (76.2 mm) high
- Ball can be rotated 350° and tilted 90° during installation
- Can be mounted on the ceiling, to a wall, or over a single gang box
- High-resolution black-and-white, color, or color/monochrome camera
- Various fixed lens options: 2.5, 4, 6, 8, or 12 mm.
- 10 to 40 VDC / 18 to 30 VAC input voltage

1.0 lux. During low-light conditions, the camera will respond to IR illumination from an IR source (such as an IR lamp or LEDs), providing a clear, high-quality image under 0-lux visible light.

The Ball Camera is available with a 2.5-, 4-, 6-, 8-, or 12-mm lens. It accepts a 10 to 40 VDC / 18 to 30 VAC input voltage.



Discreet Design

The Ball Camera's ultra compact and discreet housing is available in black or gray Lexan.

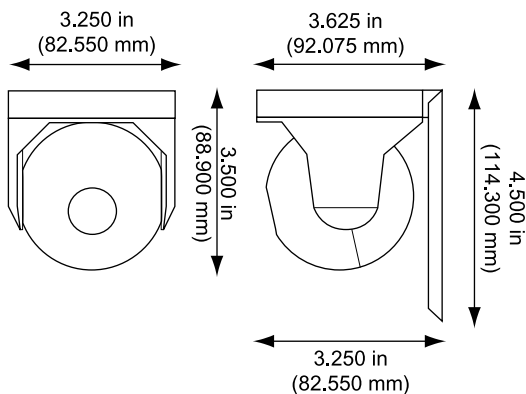


Technical Specifications

Common Camera Specifications (Black-and-White, Color, and Color/Monochrome)

Signal system:	NTSC/EIA standard or PAL/CCIR option
Image sensor:	1/4-in. interline transfer Sony super HAD CCD
Effective picture elements:	811 (H) x 508 (V)
Scanning system:	2:1 interlace—525 lines, 60 fields (NTSC/EIA); optional 625 lines, 50 fields (PAL/CCIR)
Signal-to-noise ratio:	Better than 50 dB (AGC off)
AGC:	Max 36 dB
Backlight compensation:	Automatic histogram on (under AES), center window weighted
Synchronization:	Internal / line lock AC (phase adjustable)
Gamma compensation:	0.45
Video output:	1.0 V pk-pk 75 ohm unbalanced
Electronic shutter:	AES 1/50 (1/60 sec) – 1/100,000 sec
Power supply:	10 – 40 VDC / 18 – 30 VAC, isolated, reverse polarity protected
Operating temperature:	14 to 122 °F (-10 to 50 °C)
Weight:	1.8 lb (820 g)

Dimensions



Black-and-White Camera

Resolution:	580 TVL
Sensitivity:	0.1 lux @ f1.4 (minimum illumination); 0.01 lux (faceplate)
Power consumption (per camera):	125 mA; 1.5 W @ 12 VDC, 3 W @ 24 VAC

Color Camera

Resolution:	480 TVL
Sensitivity:	1.0 lux @ f1.4 (minimum illumination); 0.1 lux (faceplate)
White balance:	Auto tracking white balance 2500 to 9500 K
Power consumption (per camera):	160 mA; 1.9 W @ 12 VDC, 3.8 W @ 24 VAC

Color/Monochrome Camera

Sync system:	Internal/line-lock (auto fix zero-cross)
Horizontal resolution:	480 TV lines
Minimum illumination:	1.0 lux @ f1.4; 0 lux under infrared illumination
Infrared wavelength:	From 780 nm to 1000 nm
Aperture correction:	H aperture and V aperture
Gain:	Max gain 36 dB
Signal-to-noise ratio:	Better than 51 dB
Backlight compensation:	Automatic histogram and window's weight BLC
Power consumption (per camera):	2.4 W @ 12 VDC, 3.1 W @ 24 VAC

BC- [] [] 00- [] [] - []

Camera	Lens	Housing Color
12 B/W	25 2.5 mm	Blank Gray
15 Color	04 4 mm	B Black
18 Color/Monochrome	06 6 mm	
	08 8 mm	
	12 12 mm	

Ordering Information

Choose your camera, lens, and housing color option to determine the model number of the Ball Camera that meets your specifications.

