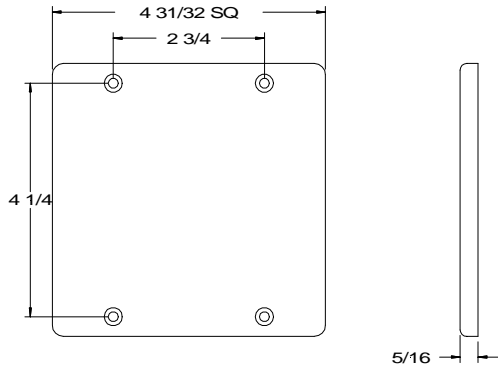
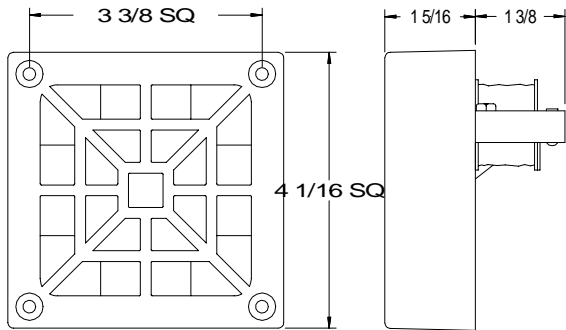


Product Dimensions

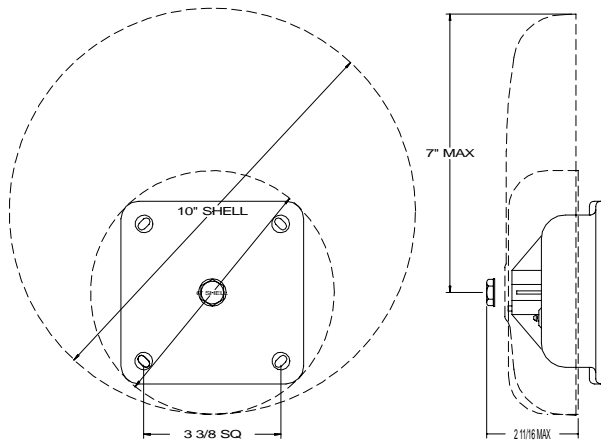
SERIES SM/DSM



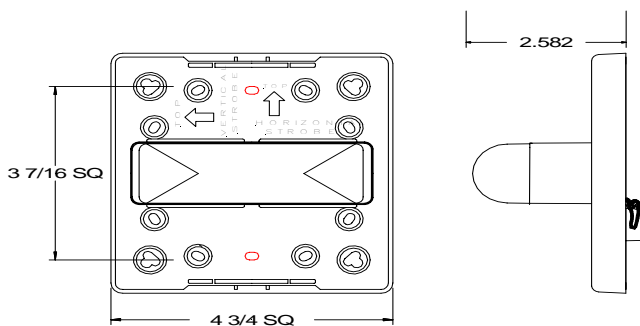
SERIES 31T



SERIES MB & 43T BELLS

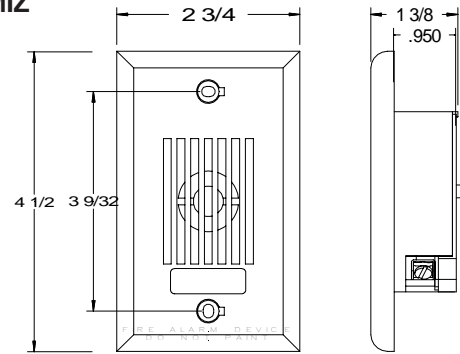


SERIES RSS

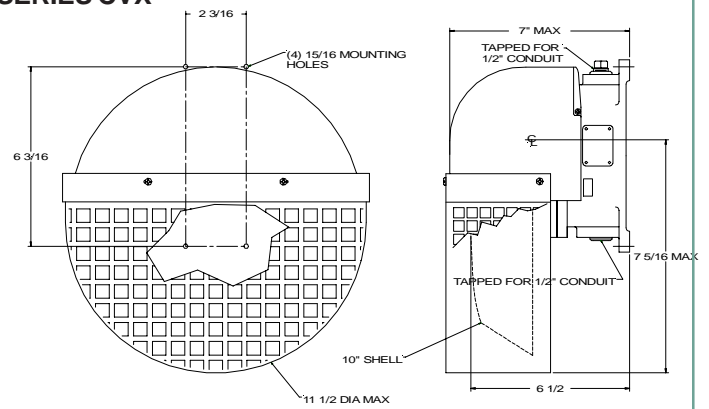


Distribuição: Segurança Industrial Equipamentos

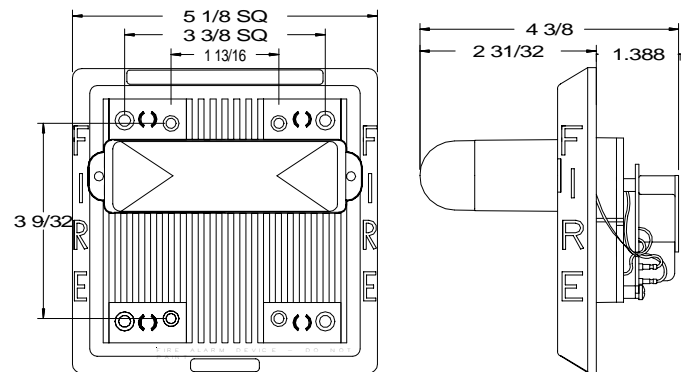
SERIES MIZ



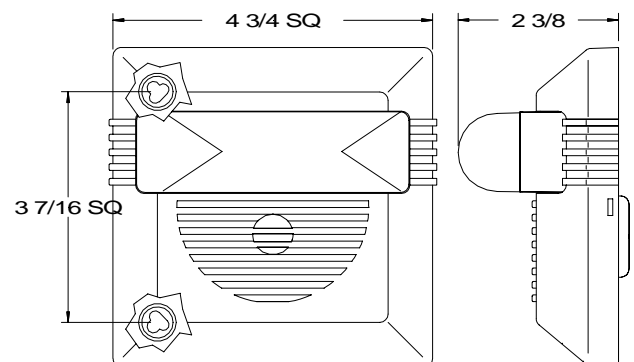
SERIES CVX



SERIES AMT, HS4, MT



SERIES NS, NH



02/05