

PRN-6

Printer



Peripheral Devices

General

The PRN-6 printer is used with Notifier fire alarm control panels (FACPs) with printer capability to provide a written record of system events and status changes. In NOTI•FIRE•NET™ applications, PRN-6 can be used with the NCA-2, NCA, Onyxworks and NCS.

Features

- Provides a hard copy printout of all system events and status changes.
- Time stamps printed on the record of each event and status change with the current time-of-day and date.
- Uses standard 9" x 11" tractor-feed fan-fold paper.
- Provides 80 columns of data at 10 characters per inch.
- Provides printed records of system configuration and addressable device parameters.
- Nine-pin print head.
- Very quiet (approximately 53 dBA).

Applications

Printed transaction records reduce the man-hours required to install and maintain a system. A printed record of all system events (alarms, troubles, etc.) and status changes can be especially valuable in the event of a disputed incident.

Construction and Operation

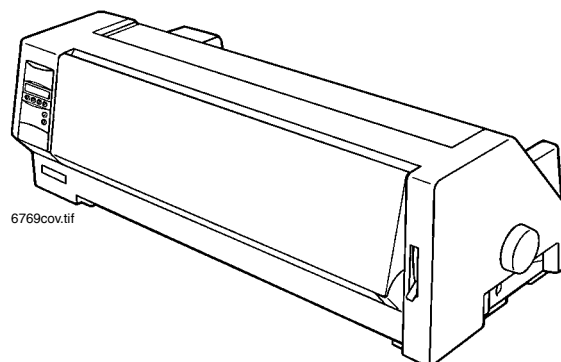
The printer is housed in its own separate enclosure and is suitable for placement on a desk top, counter, or table.

Installation

The PRN-6 should be placed in a secure area to prevent theft of the printer and/or printed records.

The PRN-6 must not be located further than 50 ft/15.24 m (actual cable length) from the control panel.

Consult the control panel installation manual for the proper method and PIN numbers used to complete the electrical connection to the control panel.



NOTE: If printer operation is required during failure of primary power, use of a separate UL-listed Uninterruptable Power Supply (UPS) system is recommended.

Printer Specifications

Printer Method: Serial printing with 9-pin matrix print head.

Printing Speed (copy draft) 310 cps at 10 cpi.

Character Density 10 cpi standard (12, 15, 17.1, and 20 cpi available via front panel).

Graphic Resolution (VxH) 144 x 240 dpi.

Ribbon Life (approx.) 4 million characters (DPQ).

Acoustic Noise Level 53 dBA (approx.).

Dimensions 19" (48.26 cm) W x 7.9" (20.08 cm) H x 9.7" (24.64 cm) D.

Weight 17.6 pounds (7.9 kg).

Power Supply 120 VAC (only).

Power Consumption 50 watts (operating).

Operating Environment Temperature 50°F to 104°F (10°C to 40°C).

Operating Environment Humidity 20% to 80% (non-condensing).

Agency Listings and Approvals

These listings and approvals apply to the modules specified in this document. In some cases, certain modules or applications may not be listed by certain approval agencies, or listing may be in process. Consult factory for latest listing status.

- **UL Listed:** S635
- **ULC Listed:** S635
- **MEA:** 08-04-E
- **FM Approved**
- **CSFM:** 7300-0028:197

Product Line Information

PRN-6: 9-pin dot-matrix printer, 120 VAC power.

NOTI•FIRE•NET™ is a trademark, and **NOTIFIER®** is a registered trademark of Honeywell International Inc.
©2009 by Honeywell International Inc. All rights reserved. Unauthorized use of this document is strictly prohibited.



This document is not intended to be used for installation purposes.
We try to keep our product information up-to-date and accurate.
We cannot cover all specific applications or anticipate all requirements.
All specifications are subject to change without notice.



Made in the U.S. A.

For more information, contact Notifier. Phone: (203) 484-7161, FAX: (203) 484-7118.
www.notifier.com