



FCA1209-Z1

Cerberus™ FIT

Output module (230V)

For use in monitored output lines



- **Output module FCA1209**
 - 1 output with potential-free relay contacts for the control of fire ventilation, air conditioning, elevators, doors, control installations
- **Direct connection into the monitored output line**
- **Indication of the output status**
- **Two-wire installation for all types of cable**
- **No external Power supply**
- **Applicable in dry, dusty and humid areas**
- **Different mounting possibilities**

Characteristics

- **Environmental**

- ecologically processing
- recyclable materials
- electronic und synthetic material simple separable

- **Characteristics**

- transparent housing for good visibility of the indicators
- protected electronics
- indication of the activation status
- applicable in dry areas, use auxiliary housing for application in dust and humid/wet areas

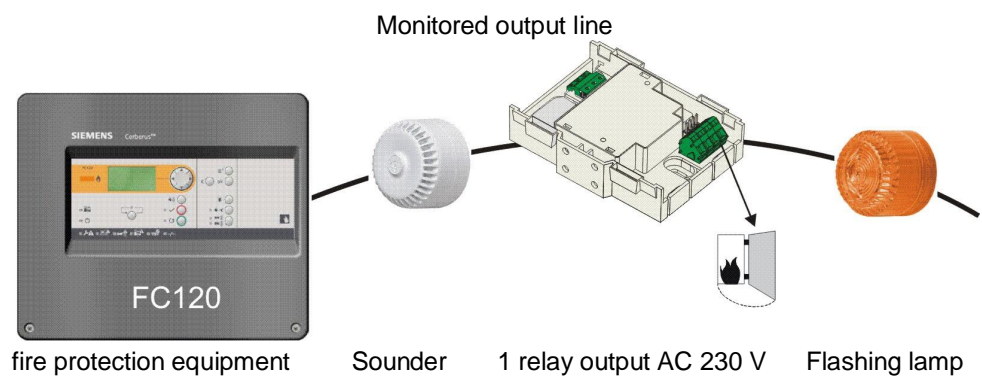
Output module FCA1209

- **Function**

- 1 output potential-free contact (AC 230 V)
- status indication by LED

- **Application**

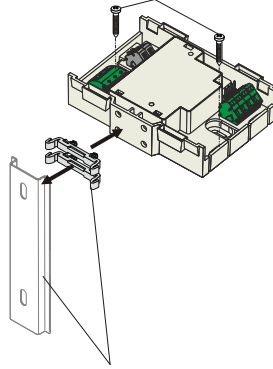
- For the activation / deactivation of 230 V decentralized fire protection equipment
- Monitored line up to the FCA1209
- Direct connection to the monitored output line form the Fire control panel



Installation

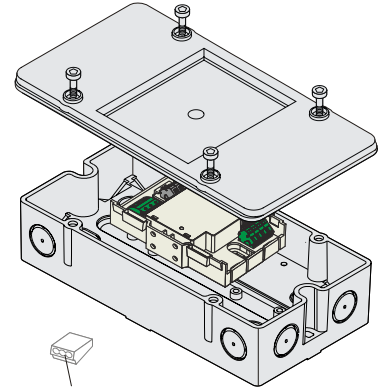
- In housings with a mass > 4.75 kg, mounting on (series mounting) top hat rail TS35
- in housing FDCH221 with cover, seal and screws for wet applications

Installation directly in switching cabinet / control panel (> 4.75 kg)



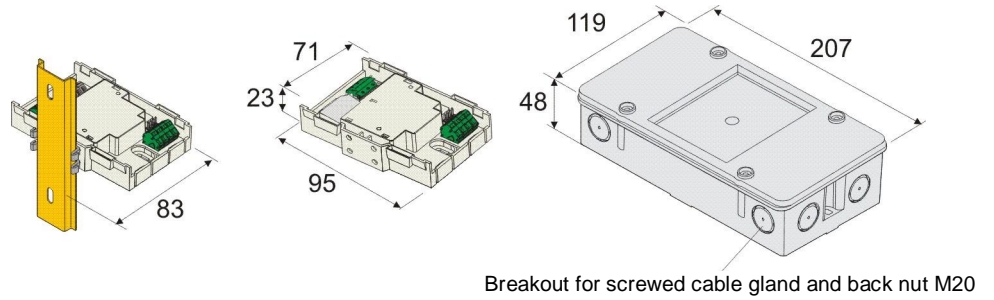
Installation in range with enclosed mounting feet at top U rail TS35

Installation in separately housing FDCH221




For shielding cables use connection terminals DBZ1190-AB

Dimensions



Technical data

	FCA1209
Operating voltage	DC 14.5...30 V
Operating current (quiescent)	max. 0.1 mA
Relays output (ohm)	AC: 230 V, max. 5 A; DC: 30 V, max. 5 A.
Relay coil resistance	480 Ω ± 10 %
Operating current / voltage	30 V / 25 mA 14,5 V / 25 mA
Internal resistance relay output	max. 0.1 Ω
Operating temperature	-25...+65 °C
Storage temperature	-25...+65 °C
Humidity	≤95 % rel.
Communication protocol	Monitored output line
Connection terminals	0.2...2.5 mm ²
Color	
– Housing	white, ~RAL 9010
– Cover	transparent matt
– Aux. housing FDCH221	white, ~RAL 9010
Protection category EN 60529 / IEC 60529	IP30
– with aux. housing FDCH221	IP65
Standards	EN 54-18
Approvals	
– LPCB	531r/01
System compatibility	
– Monitor Output Line	FC120

14  0832	FCA1209-Z1	Siemens Switzerland Ltd; Gubelstrasse 22 CH-6301 Zug Technical data: see doc. A6V10425246
FCA1209-Z1 Input/output device for use in fire detection and fire alarm systems installed in buildings.		
305/2011/EU (CPR): EN 54-18; 2014/30/EU (EMC): EN 50130-4 / EN 61000-6-3 ; 2014/35/EU (LVD): EN 60950-1; 2011/65/EU (RoHS): EN 50581		
The declared performance and conformity can be seen in the Declaration of Performance (DoP) and the EU Declaration of Conformity (DoC), which is obtainable via the Customer Support Center: Tel. +49 89 9221-8000 or http://siemens.com/bt/download		
DoP No.: 0832-CPR-F0264; DoC: No.: CED-FCA1209-Z1		

Details for ordering

	Type	Part no	Designation	Weight
	FCA1209-Z1	S54400-B124-A1	Output module (230 V)	0.056 kg
	FDCH221	S54312-F3-A1	Housing with cover, seal and screws	0.280 kg
	–	A5Q00004478	Metal screwed cable gland M20 x 1.5	0.039 kg
	–	A5Q00004479	Back nut M20	0.006 kg
	DBZ1190-AB	BPZ:4942340001	Connection terminal 1.0...2.5 mm ² (3-pole)	0.002 kg
Spare parts	FDCM291	A5Q00003855	Mounting feets (25 pcs.)	0.060 kg

Issued by
Siemens Switzerland Ltd
Building Technologies Division
International Headquarters
Gubelstrasse 22
CH-6301 Zug
Tel. +41 41 724 24 24
www.siemens.com/buildingtechnologies

© Siemens Switzerland Ltd, 2015
Technical specifications and availability subject to change without notice.