



## FDCI723

Cerberus™ PRO

## Zone module, external powered



Addresses C-NET

- 
- **Detector line (collective or conventional 110 series, DS11, SynoLINE300/600)**
  - **LED indicator for detector line status: fault, test, etc.**
  - **Two-wire installation for all cable types**
  - **DC 24 V power supply, external, tested to EN 54-4 (detector lines electrically isolated)**
  - **Microprocessor-controlled signal processing**
  - **Communication via C-NET (addressed individually)**
  - **Can be used in dry, dusty, and humid areas**
  - **Different mounting options**

## Properties

---

- **Eco-friendly**

- Environmentally friendly processing
- Reusable materials
- Electronic parts and synthetic materials can be easily separated

- **Features**

- Transparent housing, ensuring that LED indicators are easy to see
- Protected electronics
- Integrated line separator
- Easy mounting using snap fastener
- Can be used in dry areas
- Housing FDCH221 can be used in dusty and humid environments.

## FDCI723 zone module

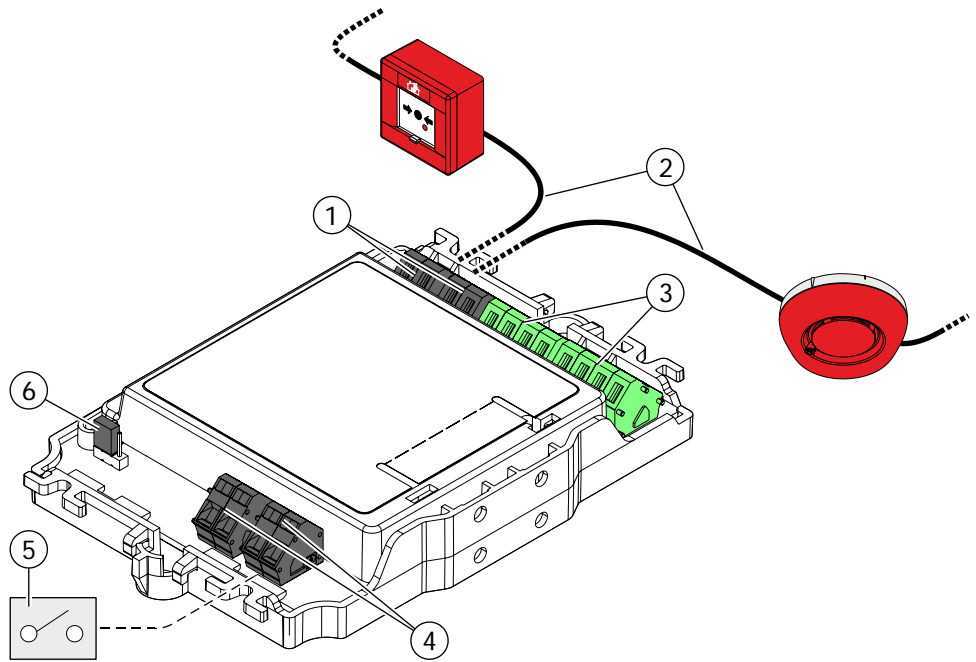
---

- **Function**

- The detector line parameters can be set for:
  - Collective detector line 110 series, DS11, SynoLINE600  
or
  - Conventional detector line SynoLINE300  
or
  - Collective detector line DS11, Ex with safety barrier SB3
- Detector line is monitored for:
  - Quiet, alarm, open line, short-circuit, fault, and ground fault
- Status indicator by means of LED

● **Use**

For connecting to collective or conventional fire detectors  
(with safety barrier SB3 for areas at risk of explosion)

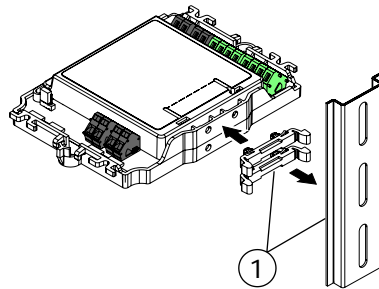


- |                                                                                                                |                                                                                                                                                                       |
|----------------------------------------------------------------------------------------------------------------|-----------------------------------------------------------------------------------------------------------------------------------------------------------------------|
| <p>1 Connections for the C-NET detector line</p> <p>2 C-NET detector line</p> <p>3 External supply DC 24 V</p> | <p>4 Connections input detector line<br/>Max. 32 detectors per line</p> <p>5 Contact input</p> <p>6 Jumper for activation/deactivation of ground fault monitoring</p> |
|----------------------------------------------------------------------------------------------------------------|-----------------------------------------------------------------------------------------------------------------------------------------------------------------------|

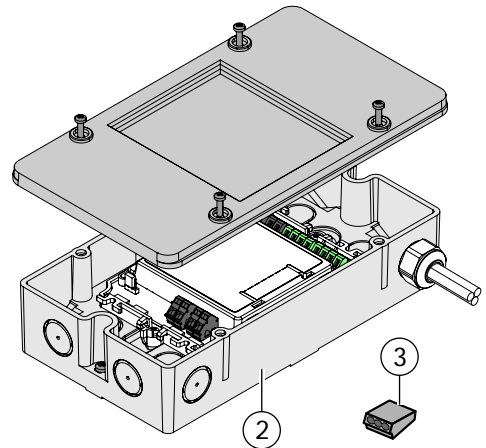
<b>!</b>	<b>NOTICE</b>
	<p><b>Country-specific safety regulations</b></p> <p>Failure to observe country-specific safety regulations can cause injury to persons and damage to property.</p> <ul style="list-style-type: none"> <li>Observe country-specific regulations and comply with the corresponding safety directives.</li> </ul>

## Installation

- Mounting (series mounting) on TS35 U-rail
- In housing FDCH221 (accessory) with cover, seal, and screws



- 1 Series mounting using mounting feet supplied, on TS35 U-rail



- 2 Mounting in separate housing FDCH221 (accessory)
- 3 Use auxiliary terminals DBZ1190-AB (accessory) for shielded cables

## Disposal

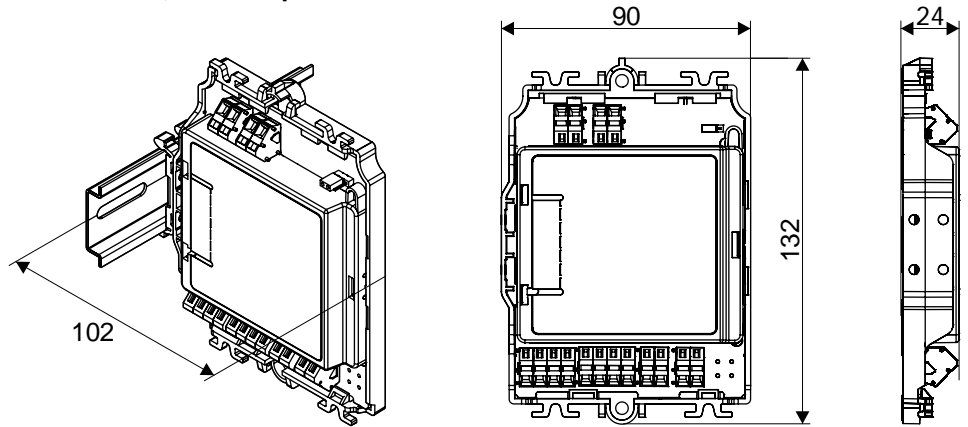


For disposal purposes, the device is considered as waste electrical and electronic equipment within the meaning of European Directive 2012/19/EU and may not be disposed of as household waste.

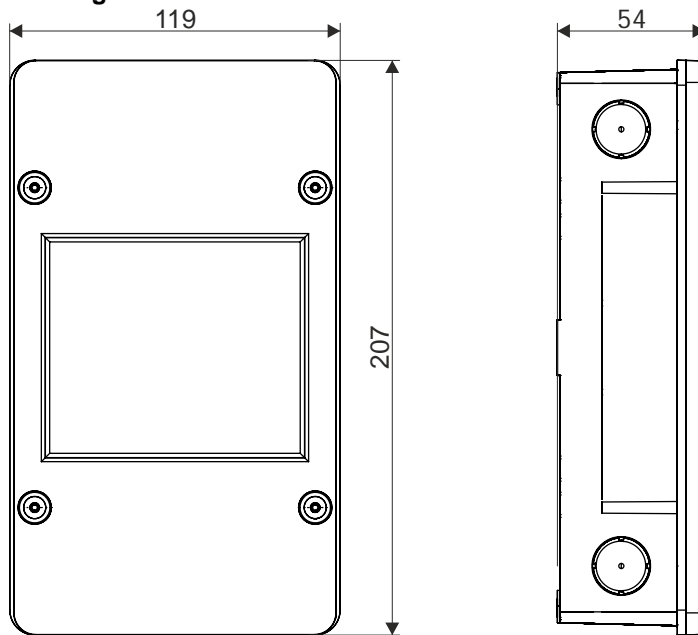
- Use the appropriate channels for disposing of the device.
- Local and currently valid legislation must be observed.

## Dimensions

### Zone module, external powered FDCI723



### Housing FDCH221



## Technical data


C-NET operating voltage	DC 12...33 V
External power supply	Tested to EN 54-4
– Operating voltage	DC 18...32 V
Collective detector line	
– Collective line code (KLK)	32
– End-of-line (EOL)	20 V voltage reference diode or EOL22 (Ex)
Operating temperature	-20...+55 °C
Storage temperature	-30...+70 °C
Air humidity	≤ 95 % rel.
Communication protocol	C-NET
Pluggable connection terminals	0.2...1.5 mm <sup>2</sup>
Color	
– Input/output module rack back box	~RAL 9010, pure white
– Cover cap, housing cover	Transparent
EN 60529/IEC 60529 protection category	IP30
– Without housing	IP65
– With housing FDCH221	
Standards	EN 54-17, EN 54-18
Approvals	
– VdS	G215004
– LPCB	–
Compatibility	See 'List of compatibility'

## Details for ordering

	Type	Art. no.	Designation	Weight
Accessories	FDCI723	S54322-F6-A1	Zone module, external powered	0.106 kg
	FDCH221	S54312-F3-A1	Housing with cover, seal, and screws	0.282 kg
	–	A5Q00004478	M20 x 1.5 metal cable gland	0.036 kg
	–	A5Q00004479	M20 metal counter nut	0.006 kg
Spare part	DBZ1190-AB	BPZ:4942340001	1.0...2.5 mm <sup>2</sup> connection terminal (3-pin)	0.001 kg
	FDCM291	A5Q00003855	Mounting foot	0.001 kg

You will find additional information in the following documents:

- Equipment overview for Cerberus devices, doc no. A6V10225323
- Compatibility of collective devices, 'List of compatibility', doc. no. A6V10229261
- Technical manual for zone module FDCI723, doc. no. A6V10414910
- Fire alarm signal in areas at risk of explosion Principles, applications, mounting, servicing , doc no. 001204

15  0786	<b>FDCI723</b>	Siemens Switzerland Ltd, Gubelstrasse 22 CH-6301 Zug Technical data: see doc. <b>A6V10414910</b>
	FDCI723 - Input/output device incl. short-circuit isolator for use in fire detection and fire alarm systems installed in buildings.	
305/2011/EU (CPR): EN 54-17 / EN 54-18 ; 2014/30/EU (EMC): EN 50130-4 / EN 61000-6-3 ; 2011/65/EU (RoHS): EN 50581		
The declared performance and conformity can be seen in the Declaration of Performance (DoP) and the EU Declaration of Conformity (DoC), which is obtainable via the Customer Support center: Tel. +49 89 9221-8000 or <a href="http://siemens.com/bt/download">http://siemens.com/bt/download</a>		
DoP No.: 0786-CPR-21423; DoC No.: CED-FDCI723		

Issued by  
Siemens Switzerland Ltd  
Building Technologies Division  
International Headquarters  
Gubelstrasse 22  
CH-6301 Zug  
Tel. +41 41 724 24 24  
[www.siemens.com/buildingtechnologies](http://www.siemens.com/buildingtechnologies)

© Siemens Switzerland Ltd, 2015  
Technical specifications and availability subject to change without notice.