



DNH^{AS}

**N-3770 Kragerø
NORWAY**
Phone: (47) 35 98 56 00
Fax: (47) 35 98 56 10
E-mail: dnh@dnh.no
Web-site: www.dnh.no

**DNH WW Ltd.
England**
Phone:.....(44) 1908 275 000
Fax:.....(44) 1908 275 100
E-mail:.....dnh@dnh.co.uk

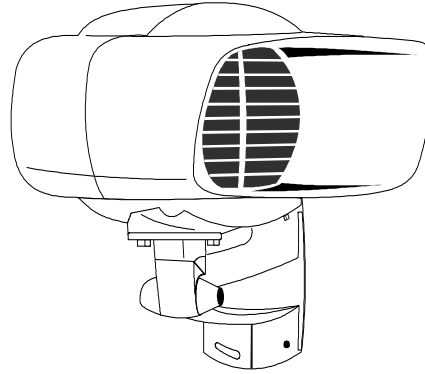
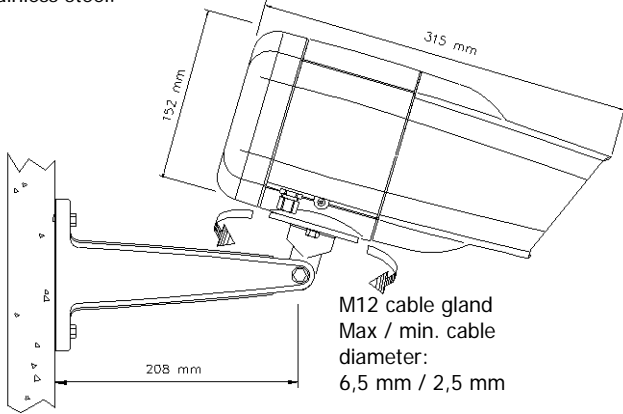
**DNH GmbH
Germany**
Phone:.....(49) 040 6569 30-0
Fax:.....(49) 040 6569 30-30
E-mail:.....dnh@dnh.de

**DNH
Speakers Inc.
USA**
Phone:.....(1) 484 494 5790
Fax:.....(1) 484 494 5793
E-mail:.....dnh@dnhspeakers.com

DP-30(T)

ISO 9001 CERTIFIED

All outside nuts and screws in stainless steel.



Combined Transformer:

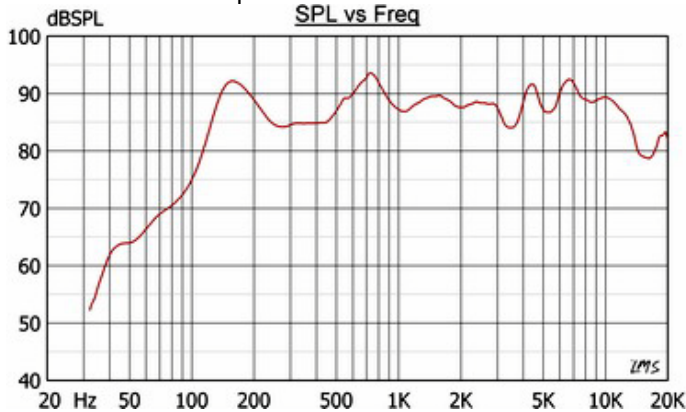
White : Green 70 Volt line
White : Red 100 Volt line

Secondary nominal tapings:

1 : 4 30,0 W
1 : 3 15,0 W
2 : 4 10,0 W
1 : 2 7,5 W
3 : 4 3,5 W
2 : 3 2,0 W

Optional with stainless steel bracket

SPL at different frequencies at 1W/1m sine wave.



Material / ColorASA / RAL 7035
 Mounting.....Polyamide Swivel Bracket
 Termination..... Internal screw terminals
 Weight..... 3,0 kg
 IP-rating.....55
 Max / min amb temp 150 °C / -40 °C
 Rated / max power 30 W / 50 W
 SPL 1W/1m 89 dB
 SPL rated power 104 dB
 Effective freq range.....110 – 20000 Hz
 Dispersion (-6dB) 1kHz / 4kHz..... 110° / 40°
 Optional Impedances, colors, labels

Installation, Operation and Maintenance Procedures

- Fasten the DP bracket to wall or ceiling with 2-4 screws. Install the loudspeaker on swivel bracket with the 2 enclosed bolts and washers. This unique bracket system allows multiple positioning options. Find the preferable position of the loudspeaker and secure the position with tightening the extra hexagonal screw on bracket.
- Remove the lid on the side of the loudspeaker, terminate cable, screw lid back on and be sure to tighten the cable gland.
- When mounting the loudspeaker, please ensure that it is re-assembled in the same manner in which it was received.
- For optimum performance, always use the correct voltage / power and operate within the frequency limits as stated.
- Do not open loudspeaker when energized.
- This loudspeaker is supplied with a 2 year warranty against defective materials and workmanship.