



DNH^{AS}

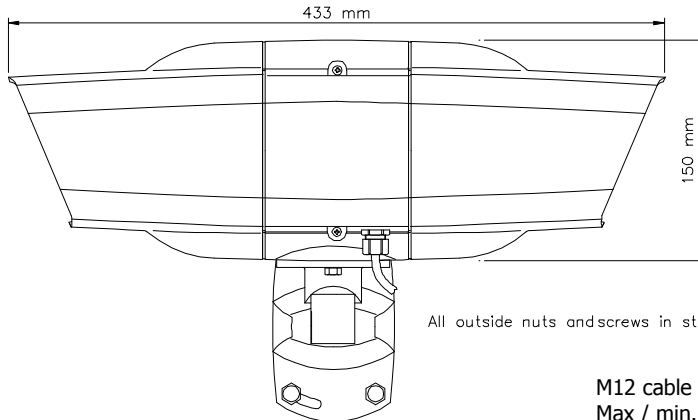
N-3770 Kragerø
NORWAY
Phone: (47) 35 98 56 00
Fax: (47) 35 98 56 10
E-mail: dnh@dnh.no
Web-site: **www.dnh.no**

DNH WW Ltd. Phone:.....(44) 1908 275 000
England Fax:.....(44) 1908 275 100
E-mail:.....dnh@dnh.co.uk

DNH GmbH Phone:.....(49) 040 6569 30-0
Germany Fax:.....(49) 040 6569 30-30
E-mail:.....dnh@dnh.de

DNH Speakers Inc. Phone:.....(1) 484 494 5790
USA Fax:.....(1) 484 494 5793
E-mail:.....dnh@dnhspeakers.com

ISO 9001 CERTIFIED



All outside nuts and screws in stainless steel.

M12 cable gland
Max / min. cable
diameter:
6,5 mm / 2,5 mm

Combined Transformer:
(Optional 70V)

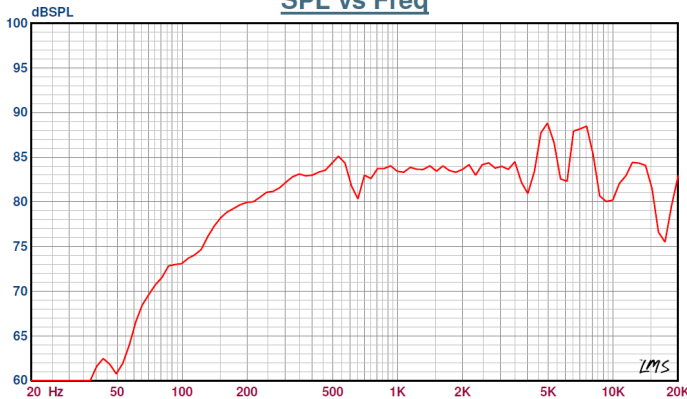
White : Green 70 Volt line
White : Red 100 Volt line

Secondary nominal tapings:

1 : 4 30,0 W
1 : 3 15,0 W
2 : 4 10,0 W
1 : 2 7,5 W
3 : 4 3,5 W
2 : 3 2,0 W

Sound pressure levels at different frequencies at 1W/1m sine wave

SPL vs Freq



Material / ColorASA / RAL 7035
Mounting.....Polyamide Swivel Bracket
Termination..... Inside screw terminal
Weight..... 4,2 kg
IP-rating.....55
Max / min amb temp..... 150 °C / -40 °C
Rated / max. power 30 W / 50 W
SPL 1W/1m 88 dB
SPL rated power 101 dB
Effective freq. range.....100 – 20000 Hz
Dispersion (-6dB) 1kHz / 4kHz..... 110° / 40° (Bi-directional)
Directivity factor, Q
Options Impedances, colors, labels

Installation, Operation and Maintenance Procedures

- Fasten the DP bracket to wall or ceiling with 2-4 screws. Install the loudspeaker on swivel bracket with the 2 enclosed bolts and washers. This unique bracket system allows multiple positioning options. Find the preferable position of the loudspeaker and secure the position with tightening the extra hexagonal screw on bracket.
- Remove the lid on the side of the loudspeaker, terminate cable, screw lid back on and be sure to tighten the cable gland.
- When mounting the loudspeaker please ensure that it is re-assembled in the same manner in which it was received.
- For optimum performance, always use the correct voltage / power and operate within the frequency limits as stated.
- Do not open loudspeaker when energized.
- This loudspeaker is supplied with a 2 year warranty against defective materials and workmanship.



DNH reserves the right to alter specifications without notice.

Rev.20.04.2011